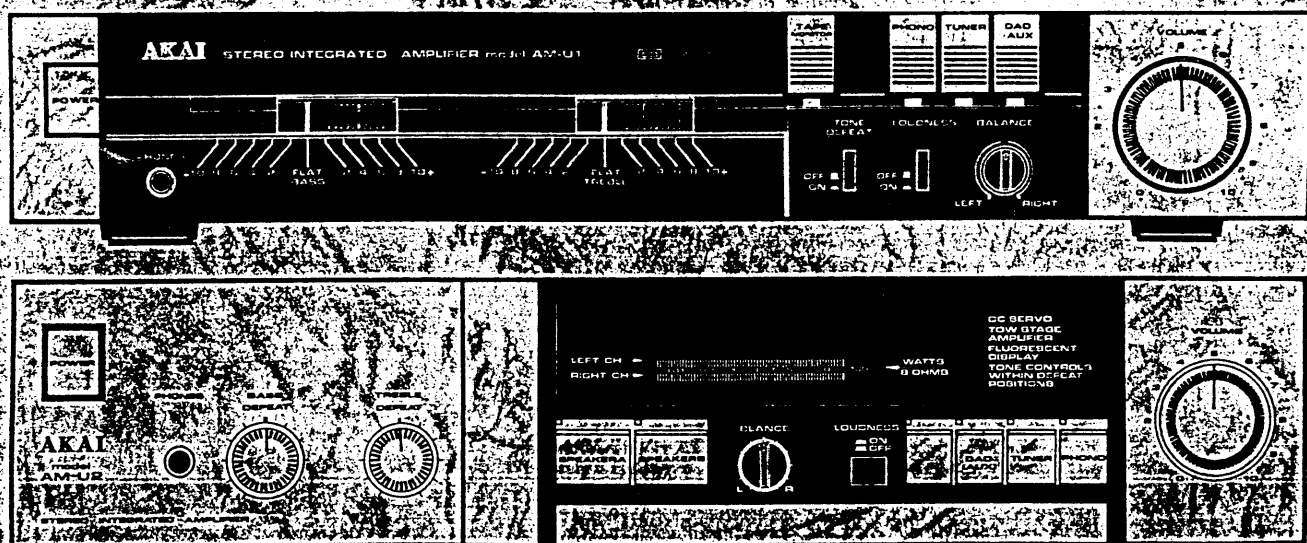


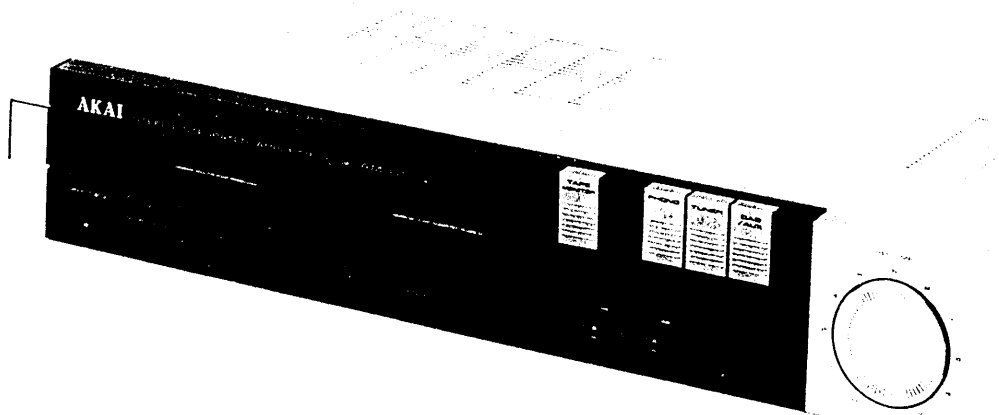
# AKAI SERVICE MANUAL



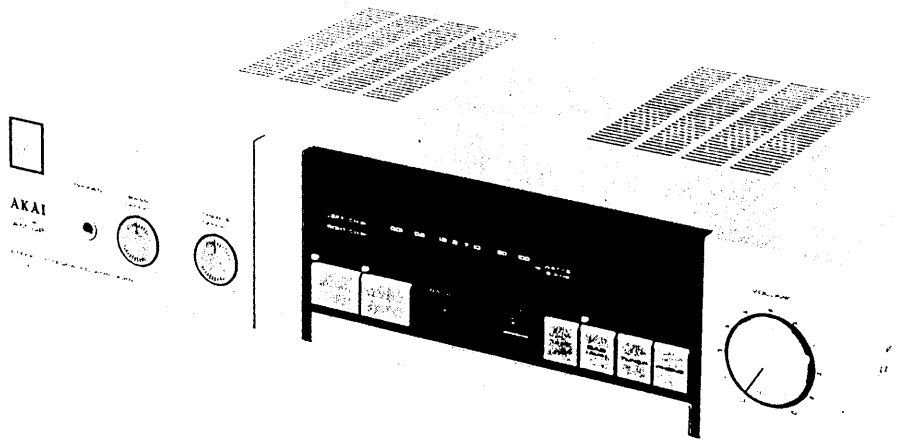
STEREO INTEGRATED AMPLIFIER

AM-U1

MODEL AM-U2/F



AM-U1



AMU2/F

STEREO INTEGRATED AMPLIFIER  
**AM-U1**  
 MODEL **AM-U2/F**

SECTION 1	MODEL AM-U1 SERVICE MANUAL .....	3
SECTION 2	MODEL AM-U2/F SERVICE MANUAL .....	13
SECTION 3	PARTS LIST .....	27
SECTION 4	SCHEMATIC DIAGRAM .....	37

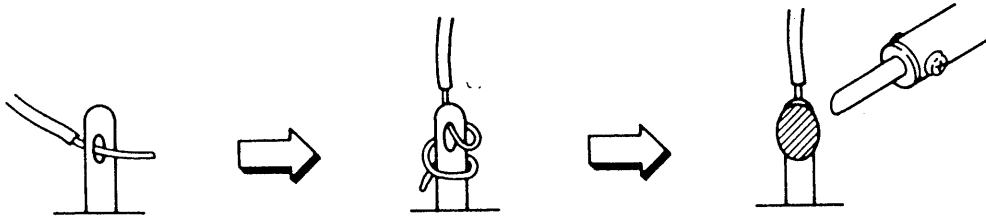
# SAFETY INSTRUCTIONS

## SAFETY CHECK AFTER SERVICING

Confirm the specified insulation resistance between power cord plug prongs and externally exposed parts of the set is greater than 10 Mohms, but for equipment with external antenna terminals (tuner, receiver, etc.) and is intended for **C** or **A**, specified insulation resistance should be more than 2.2 Mohms (ground terminals, microphone jacks, headphone jacks, line-in-out jacks etc.)

## PRECAUTIONS DURING SERVICING

1. Parts identified by the  $\Delta$  symbol parts are critical for safety.  
Replace only with parts number specified.
2. In addition to safety, other parts and assemblies are specified for conformance with such regulations as those applying to spurious radiation. These must also be replaced only with specified replacements.  
Examples: RF converters, tuner units, antenna selector switches, RF cables, noise blocking capacitors, noise blocking filters, etc.
3. Use specified internal wiring. Note especially:
  - 1) Wires covered with PVC tubing
  - 2) Double insulated wires
  - 3) High voltage leads
4. Use specified insulating materials for hazardous live parts. Note especially:
  - 1) Insulation Tape
  - 2) PVC tubing
  - 3) Spacers (Insulating Barriers)
  - 4) Insulation sheets for transistors
  - 5) Plastic screws for fixing microswitch (especially in turntable)
5. When replacing AC primary side components (transformers, power cords, noise blocking capacitors, etc.), wrap ends of wires securely about the terminals before soldering.



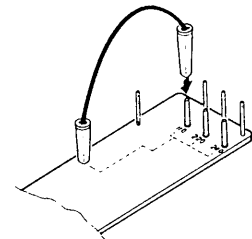
6. Observe that wires do not contact heat producing parts (heatsinks, oxide metal film resistors, fusible resistors, etc.).
7. Check that replaced wires do not contact sharp edged or pointed parts.
8. Also check areas surrounding repaired locations.
9. Use care that foreign objects (screws, solder droplets, etc.) do not remain inside the set.

### 10. Voltage Conversion MODEL AM-U1 only

Models for Canada, USA, Europe, UK and Australia are not equipped with this facility.

Each machine is preset at the factory according to destination, but some machines can be set to 110-120V, 220V or 240V as required. If voltage change is necessary, this can be accomplished as follows.

- 1) Disconnect the power cord.
- 2) Loosen the holding screws and remove the top panel.
- 3) Remove the Line Voltage wire and fit onto proper pins, explicitly following the printed instructions.



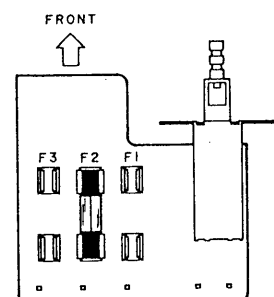
### 11. Voltage Conversion MODEL AM-U2/F only

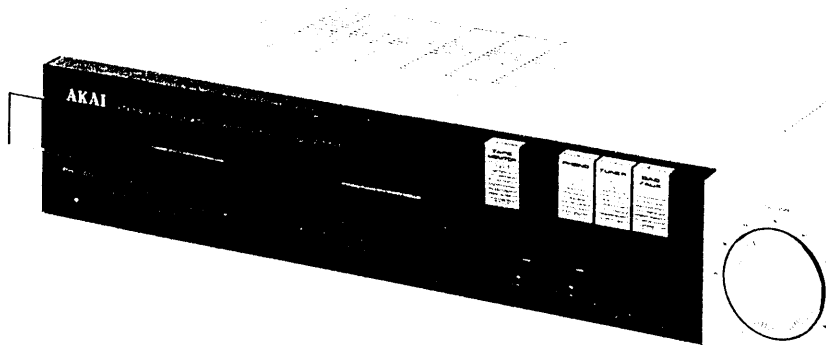
Models for Canada, USA, Europe, UK and Australia are not equipped with this facility.

Each machine is preset at the factory according to destination, but some machines can be set to 110V, 220V or 240V as required. If voltage change is necessary, this can be accomplished as follows.

- 1) Disconnect the power cord.
- 2) Loosen the holding screws and remove the top panel.
- 3) Remove the Line Voltage Fuse and insert the required Line Voltage Fuse onto the proper Fuse Holder, explicitly following the printed instructions.

110V AREA F1 250V 2.5A  
220V AREA F2 250V 1.25A  
240V AREA F3 250V 1.25A





SECTION 1

**SERVICE MANUAL**

**MODEL AM-U1**

TABLE OF CONTENTS

I. SPECIFICATIONS .....	4
II. DISMANTLING OF UNIT.....	5
III. CONTROLS .....	6
IV. PRINCIPAL PARTS LOCATION .....	7
V. CLASSIFICATION OF VARIOUS P.C BOARDS .....	8
1. P.C BOARD TITLES AND IDENTIFICATION NUMBER .....	8
2. COMPOSITION OF VARIOUS P.C BOARDS .....	9

For basic adjustments, measuring methods, and operating principles, refer to GENERAL TECHNICAL MANUAL.

# I. SPECIFICATIONS

## POWER AMPLIFIER SECTION

RATED POWER OUTPUT (2 CHANNELS DRIVEN) 40 to 20,000 Hz 1 kHz	8 ohms 22W x 2/0.3 % 25W x 2/0.3 %
POWER BANDWIDTH (IHF -3 dB, 8 ohms)	10 Hz to 30 kHz/0.3 %
SIGNAL TO NOISE RATIO (IHF-A) PHONO AUX	70 dB 90 dB
RESIDUAL NOISE (8 ohms)	1.3 mV
CHANNEL SEPARATION (IHF, 1 kHz)	40 dB (1 kHz)/36 dB (10 kHz)
DAMPING FACTOR (1 kHz, 8 ohms)	27
OUTPUT IMPEDANCE SPEAKERS HEADPHONES	4 to 16 ohms 4 to 16 ohms

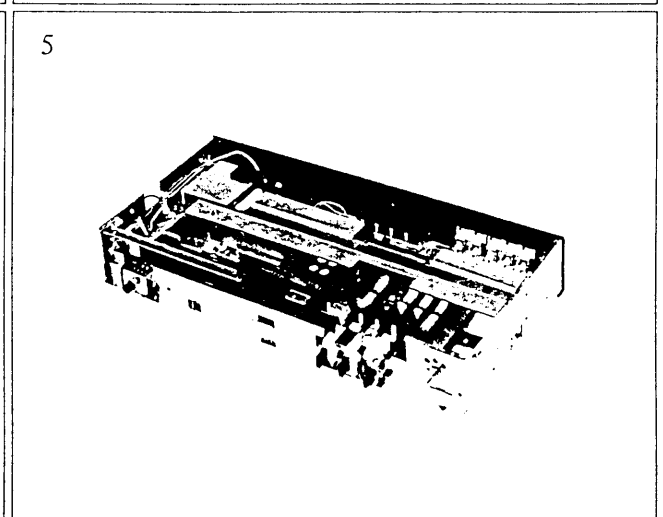
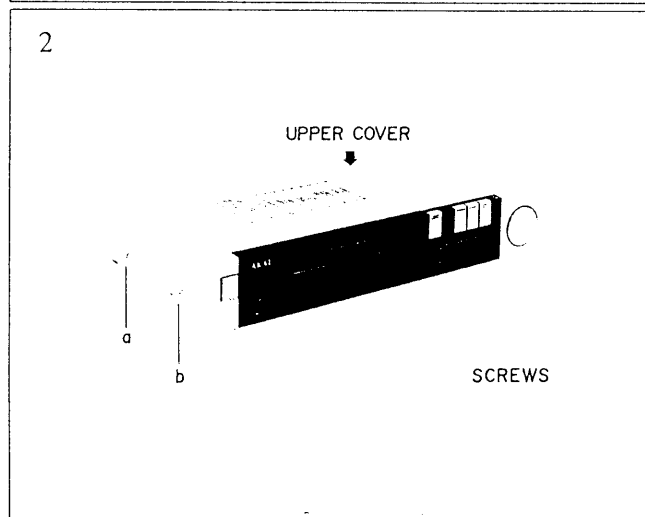
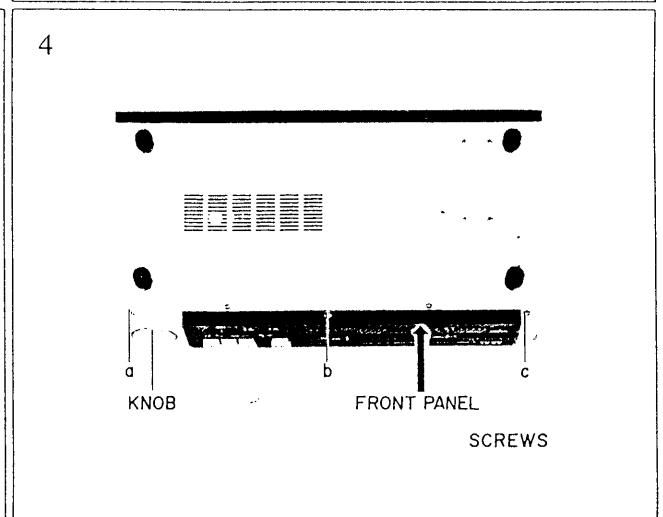
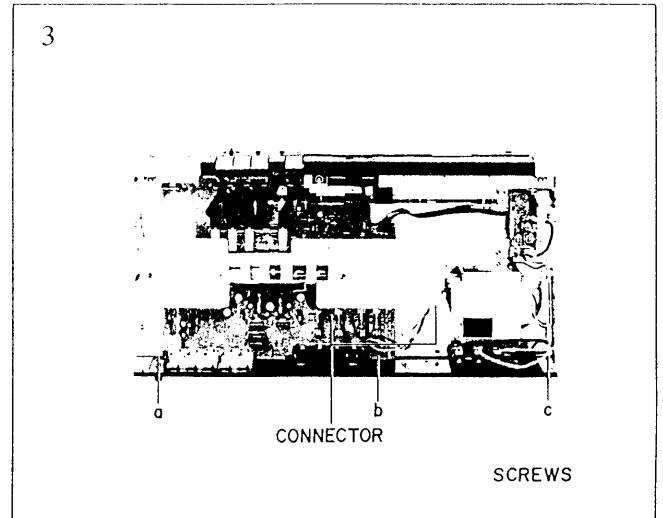
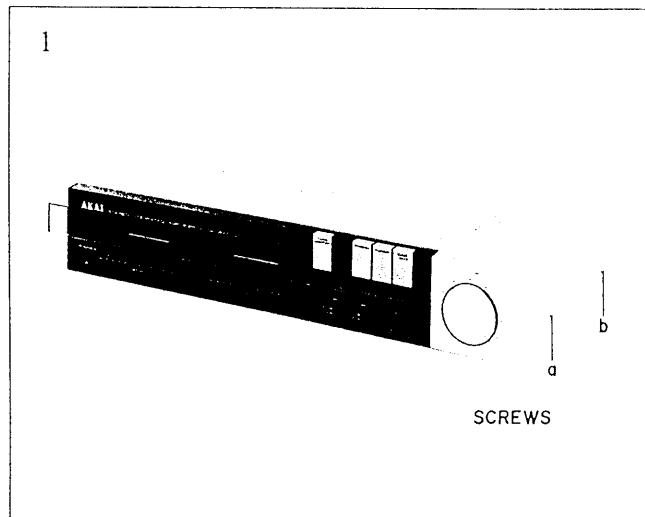
## PREAMPLIFIER SECTION

INPUT SENSITIVITY/IMPEDANCE PHONO AUX TUNER TAPE	2.5 mV/47 kohms 150 mV/47 kohms 150 mV/47 kohms 150 mV/47 kohms
OUTPUT LEVEL/IMPEDANCE TAPE REC	(PIN) 150 mV/2 kohms
FREQUENCY RESPONSE PHONO (RIAA DEVIATION)	±1 dB
TONE CONTROL BASS TREBLE	±8 dB 100 Hz ±6 dB 10 kHz
LOUDNESS CONTROL (VOLUME SET AT -30 dB POSITION)	+10 dB (100 Hz), +6 dB (10 kHz)
PHONO MAX. INPUT LEVEL (1 kHz)	120 mV
POWER REQUIREMENT	120V, 60 Hz for USA and Canada 220V, 50 Hz for Europe except UK 240V, 50 Hz for UK and Australia 110-120V/220V/240V, 50/60 Hz internally switchable for other countries.
POWER CONSUMPTION	110W U.A.C models
DIMENSIONS	440 (W) x 80 (H) x 246 (D) mm (17.3 x 3.0 x 9.7 inches)
WEIGHT	4.6 kg (10.1 lbs)

\* For improvement purposes, specifications and design are subject to change without notice.

## II. DISMANTLING OF UNIT

In case of trouble, etc. necessitating dismantling, please dismantle in the order shown in the photographs. Reassemble in reverse order.



For Service Manuals  
**MAURITRON SERVICES**  
 8 Cherry Tree Road, Chinnor  
 Oxfordshire, OX9 4QY.  
 Tel (01844) 351694  
 Fax (01844) 352554  
 email:- sales@mauritron.co.uk

### III. CONTROLS

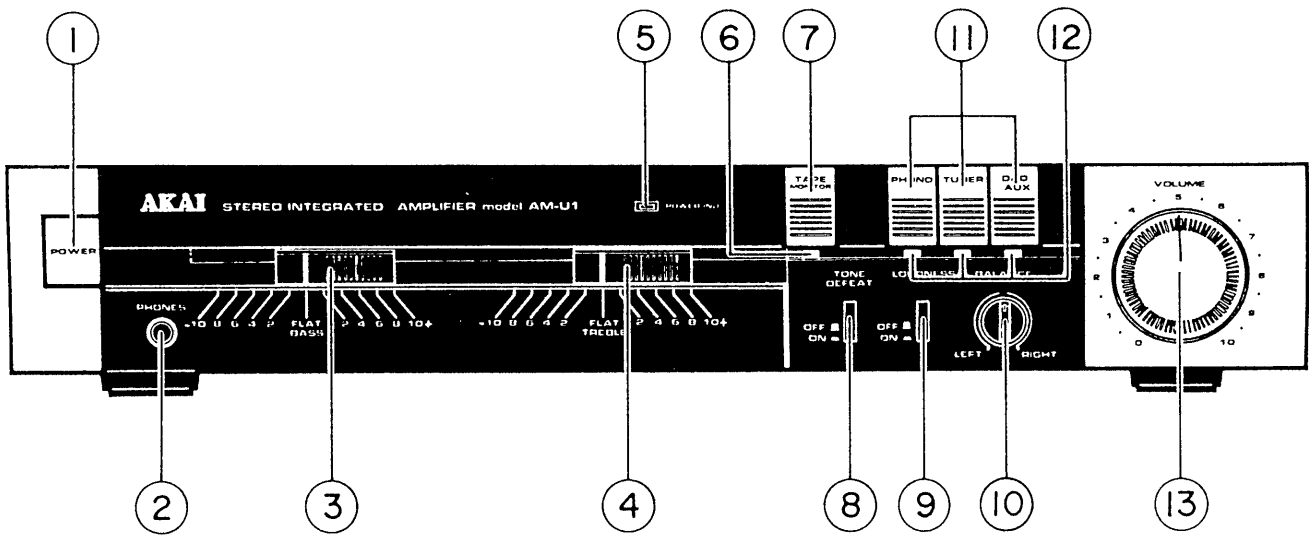


Fig. 3-1 Front View

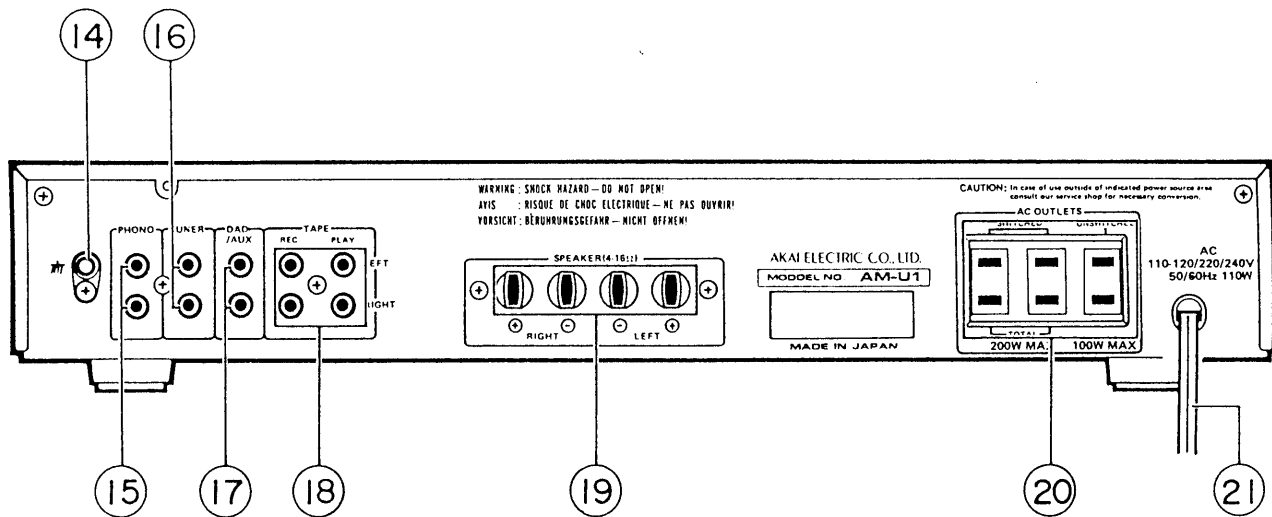


Fig. 3-2 Rear View

- |  |   |
|--|---|
| <ol style="list-style-type: none"> <li>1. POWER SWITCH</li> <li>2. PHONES JACK</li> <li>3. BASS CONTROL</li> <li>4. TREBLE CONTROL</li> <li>5. POWER INDICATOR</li> <li>6. TAPE MONITOR INDICATOR</li> <li>7. TAPE MONITOR SWITCH</li> <li>8. TONE DEFEAT SWITCH</li> <li>9. LOUDNESS SWITCH</li> <li>10. BALANCE CONTROL</li> <li>11. INPUT SOURCE SELECTORS<br/>(PHONO, TUNER, and DAD/AUX)</li> </ol> | <ol style="list-style-type: none"> <li>12. INPUT SELECTOR INDICATORS</li> <li>13. VOLUME CONTROL</li> <li>14. GND TERMINAL</li> <li>15. PHONO JACKS</li> <li>16. TUNER JACKS</li> <li>17. DAD/AUX JACKS</li> <li>18. TAPE REC/PLAY JACKS</li> <li>19. SPEAKER TERMINALS (LEFT and RIGHT)</li> <li>20. AC OUTLETS (U A C MODEL ONLY)</li> <li>21. AC POWER CORD</li> </ol> |
|--|---|

# IV. PRINCIPAL PARTS LOCATION

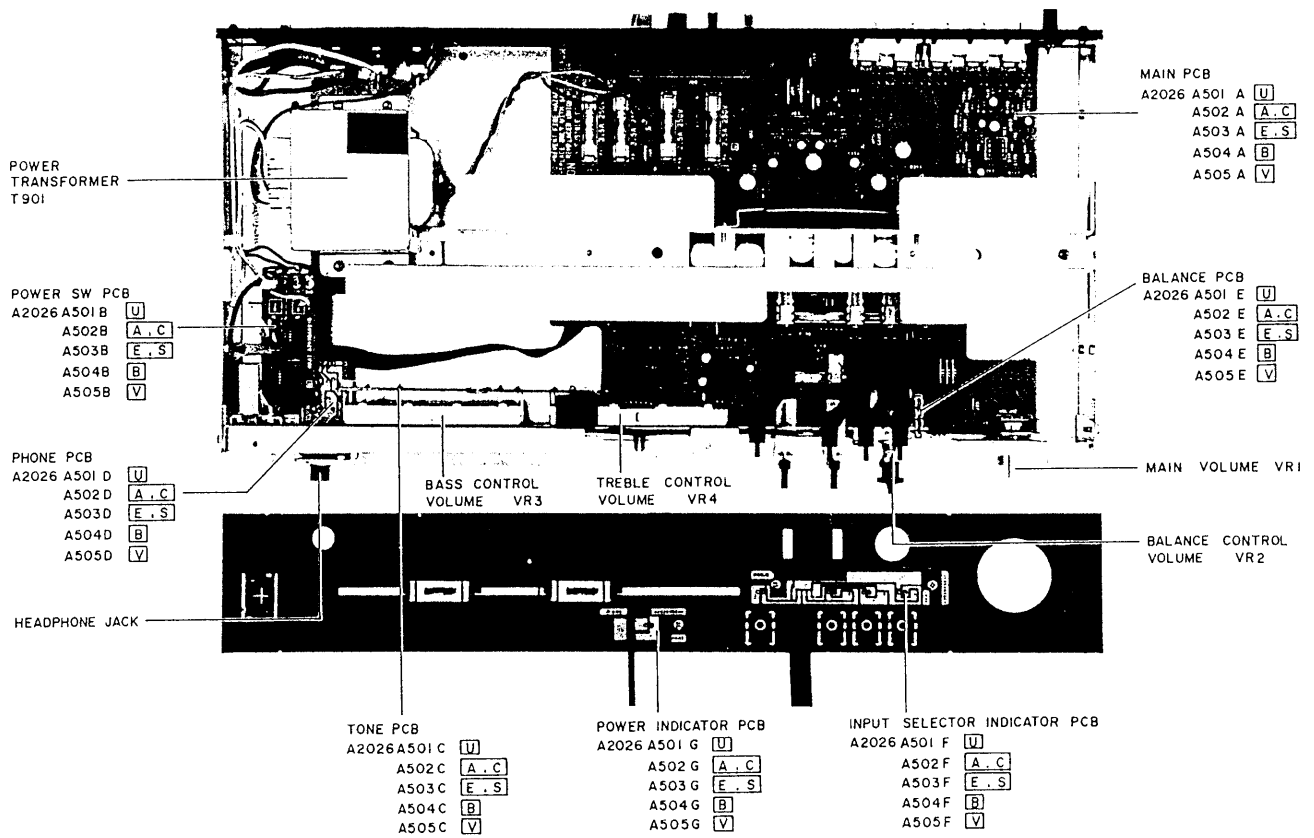


Fig. 4 Top View



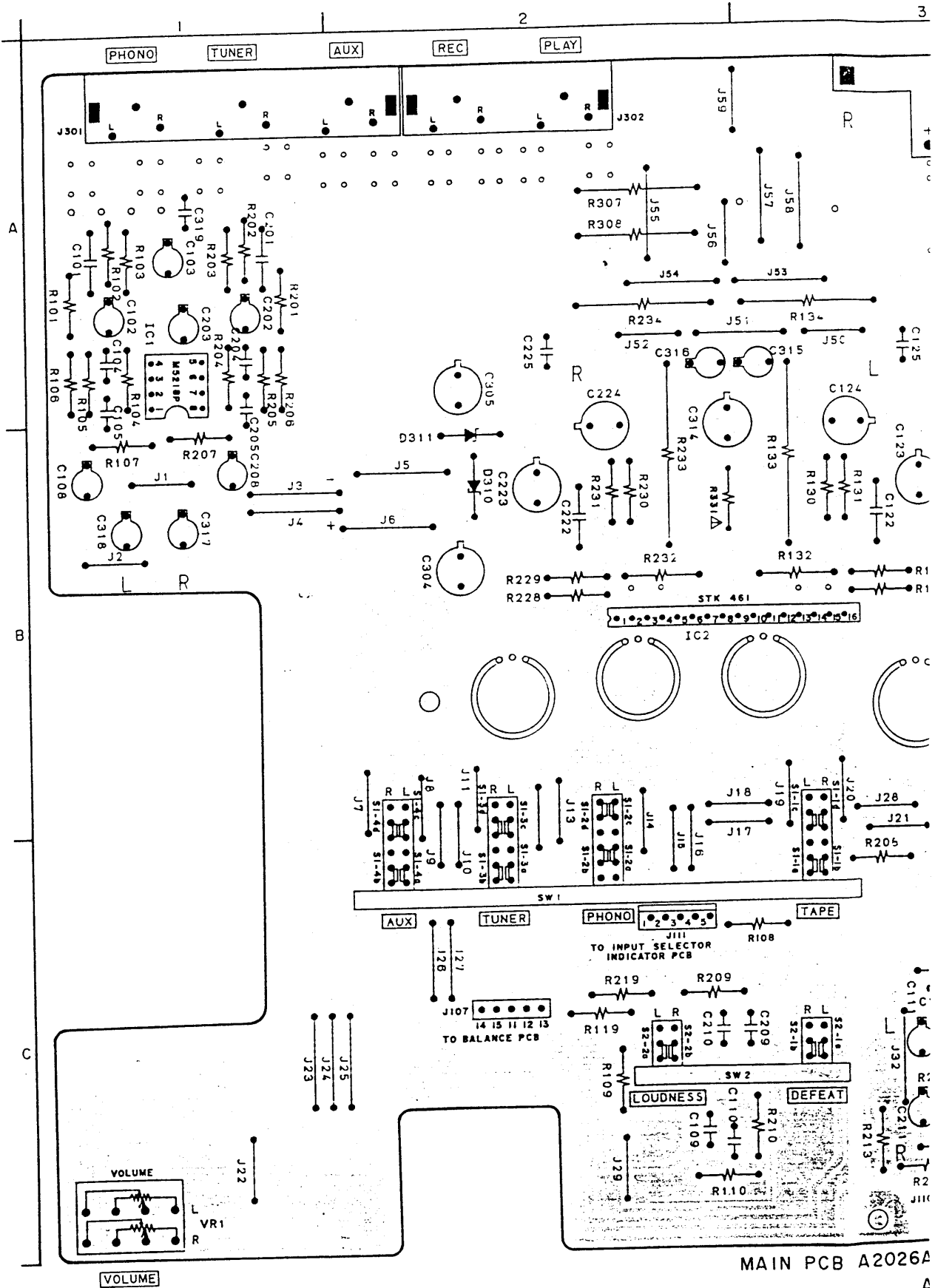
## V. CLASSIFICATION OF VARIOUS P.C BOARD

### 5-1. MODEL AM-U1 P.C BOARD TITLES AND IDENTIFICATION NUMBER

P.C BOARD TITLE		P.C BOARD NUMBER	REMARKS
MAIN	P.C Board	A2026A501A	U
MAIN	P.C Board	A2026A502A	C , A
MAIN	P.C Board	A2026A503A	E , S
MAIN	P.C Board	A2026A504A	B
MAIN	P.C Board	A2026A505A	V
POWER SW	P.C Board	A2026A501B	U
POWER SW	P.C Board	A2026A502B	C , A
POWER SW	P.C Board	A2026A503B	E , S
POWER SW	P.C Board	A2026A504B	B
POWER SW	P.C Board	A2026A505B	V
TONE	P.C Board	A2026A501C	U
TONE	P.C Board	A2026A502C	C , A
TONE	P.C Board	A2026A503C	E , S
TONE	P.C Board	A2026A504C	B
TONE	P.C Board	A2026A505C	V
PHONE	P.C Board	A2026A501D	U
PHONE	P.C Board	A2026A502D	C , A
PHONE	P.C Board	A2026A503D	E , S
PHONE	P.C Board	A2026A504D	B
PHONE	P.C Board	A2026A505D	V
BALANCE	P.C Board	A2026A501E	U
BALANCE	P.C Board	A2026A502E	C , A
BALANCE	P.C Board	A2026A503E	E , S
BALANCE	P.C Board	A2026A504E	B
BALANCE	P.C Board	A2026A505E	V
INPUT SELECTOR INDICATOR	P.C Board	A2026A501F	U
INPUT SELECTOR INDICATOR	P.C Board	A2026A502F	C , A
INPUT SELECTOR INDICATOR	P.C Board	A2026A503F	E , S
INPUT SELECTOR INDICATOR	P.C Board	A2026A504F	B
INPUT SELECTOR INDICATOR	P.C Board	A2026A505F	V
POWER INDICATOR	P.C Board	A2026A501G	U
POWER INDICATOR	P.C Board	A2026A502G	C , A
POWER INDICATOR	P.C Board	A2026A503G	E , S
POWER INDICATOR	P.C Board	A2026A504G	B
POWER INDICATOR	P.C Board	A2026A505G	V

## 5-2. COMPOSITION OF VARIOUS P.C BOARDS

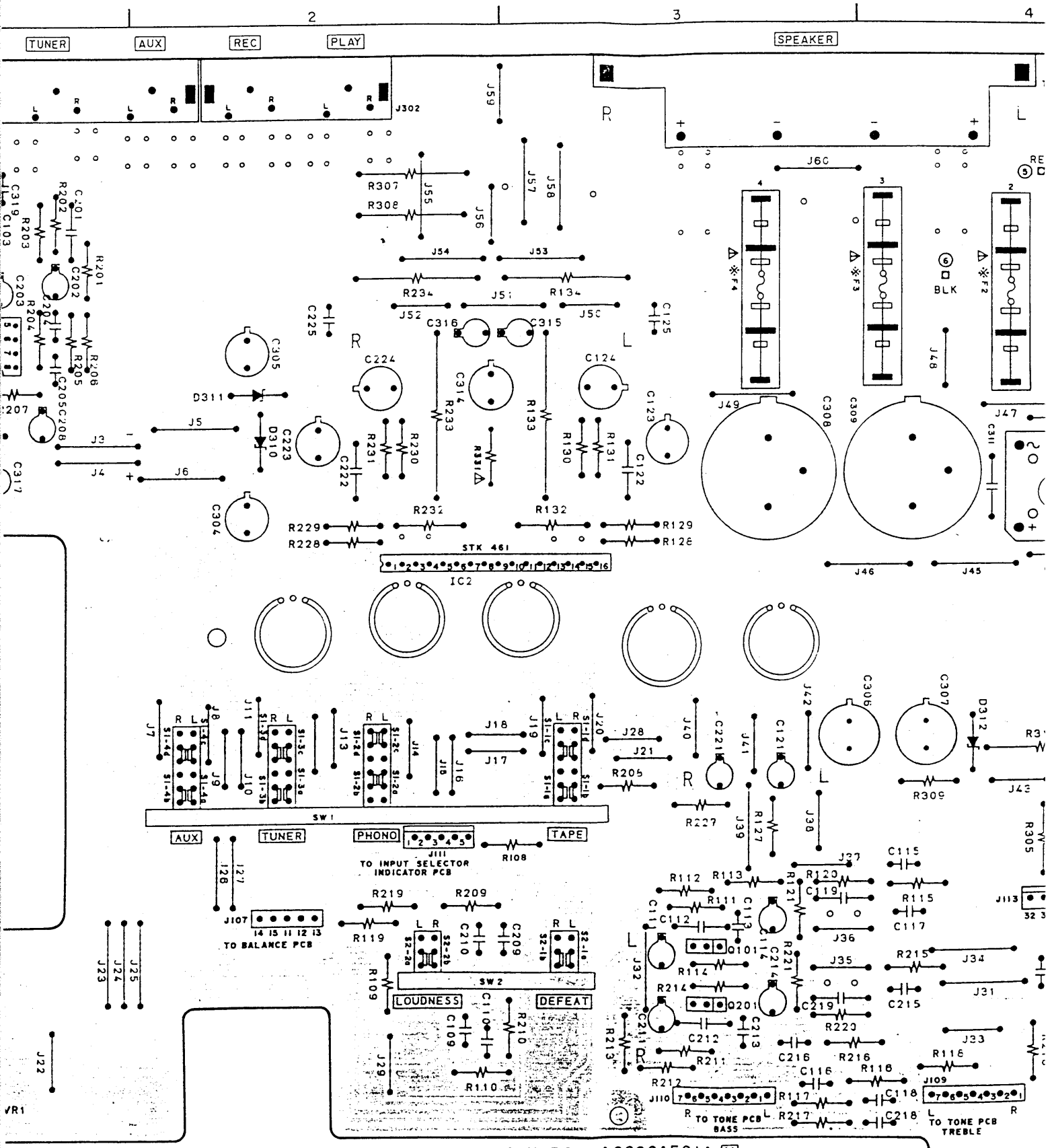
### 1) MAIN P.C BOARD A2026A501A to 504A U, C, A, E, S, B



MAIN PCB A2026A

DUS P.C BOARDS

to 504A U, C, A, E, S, B



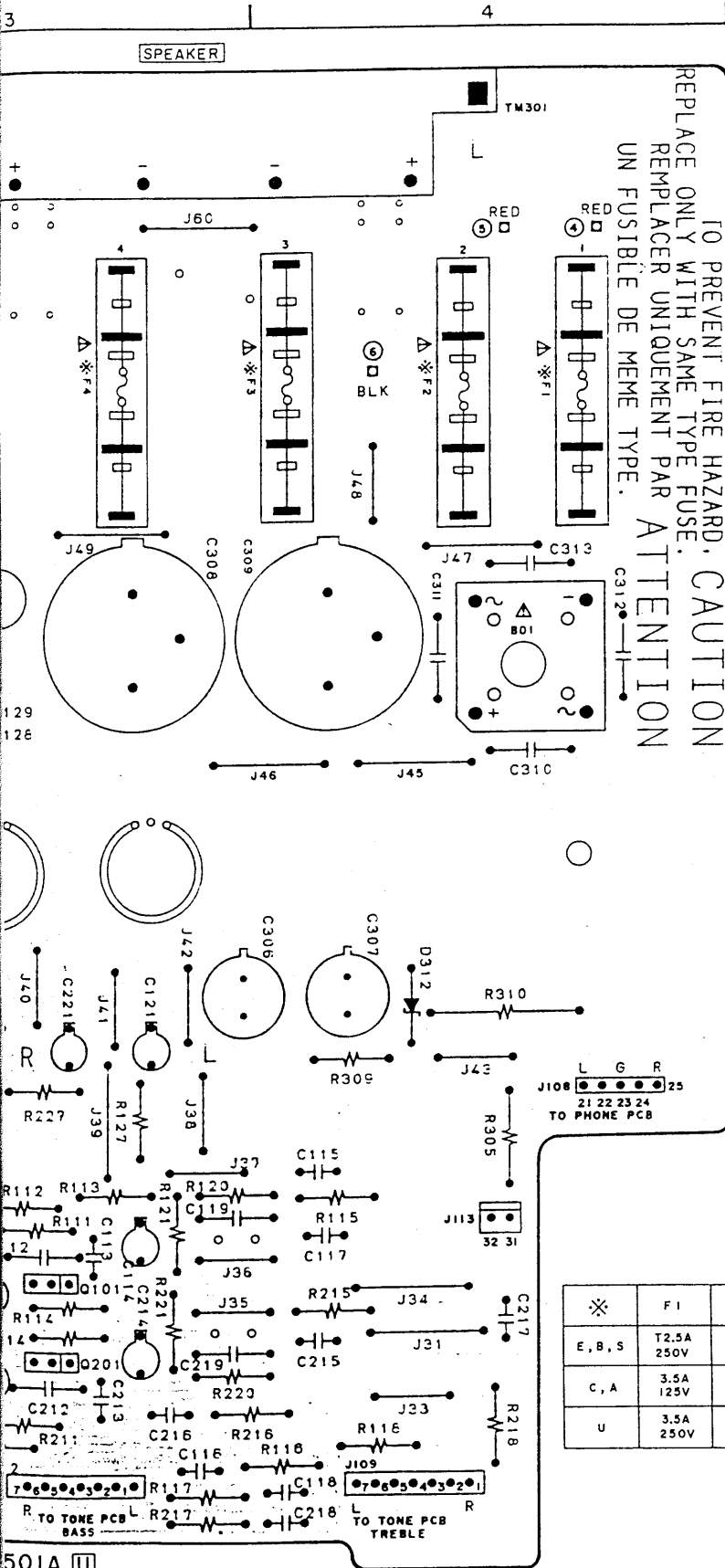
MAIN PCB A2026A501A U

A502A A,C

A503A E,S

A504A B

WARNING: Δ INDICAT  
REPLACE  
RECOMME  
AVERTISSEMENT: Δ  
POUR MAI  
NE REMPLI



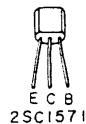
LOCATION OF COMPONENTS

TR  
 Q101.....C3  
 Q201.....C3

IC  
 IC1.....A1  
 IC2.....B2

CONNECTOR  
 J301.....A1  
 J302.....A2  
 J303.....C4  
 J304.....C2  
 J305.....C3  
 J306.....C4  
 J307.....C4

Q101, 201 ..... 2SC1571 (F,G,H)



= NPN TRANSISTOR

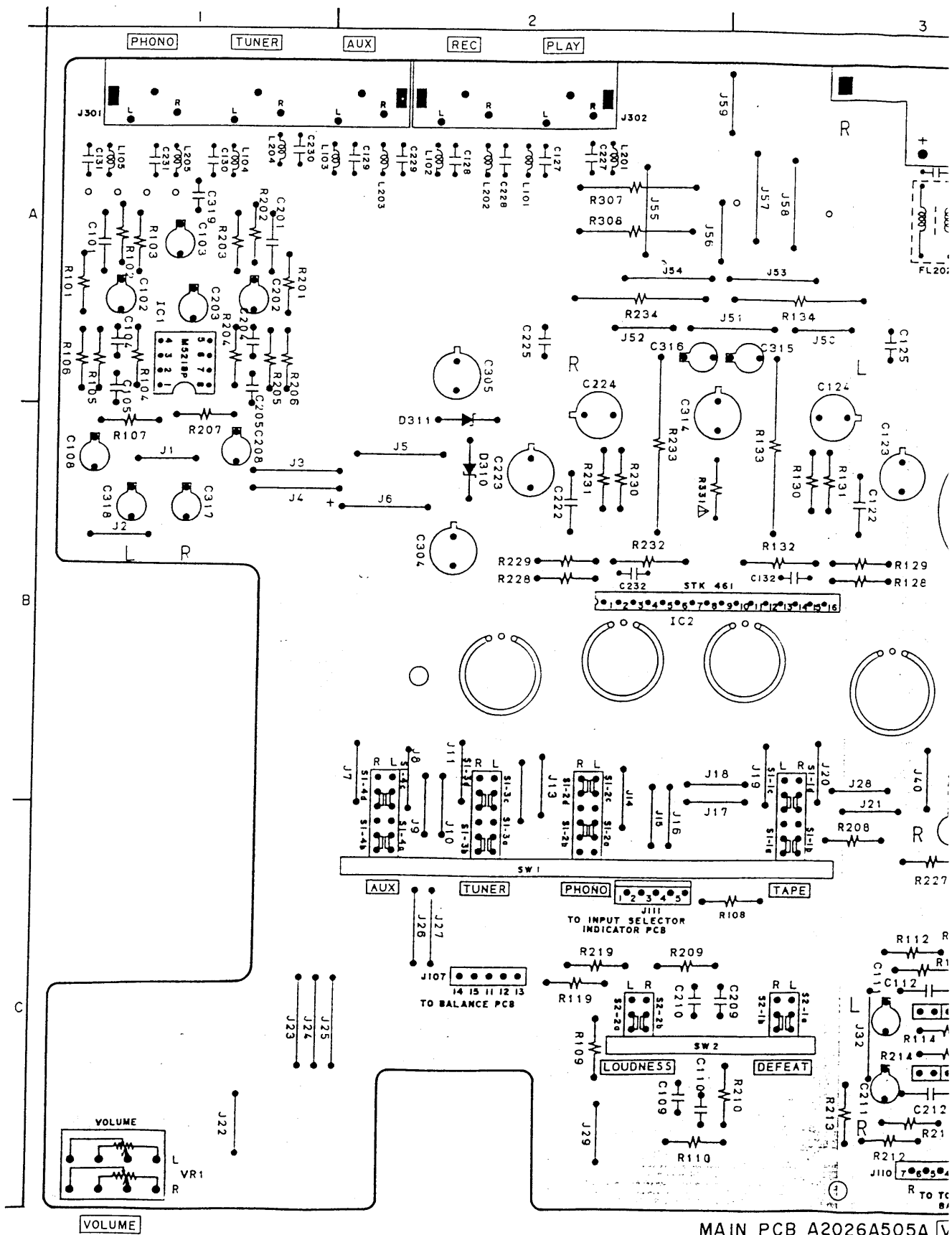
⊛	F1	F2	F3	F4
E, B, S	T2.5A 250V	T2.5A 250V	T2.5A 250V	T2.5A 250V
C, A	3.5A 125V	3.5A 125V	3A 250V	3A 250V
U	3.5A 250V	3.5A 250V	2.5A 250V	2.5A 250V

- 501A
- 502A
- 503A
- 504A

WARNING: ⊛ INDICATES SAFETY CRITICAL COMPONENTS FOR CONTINUED SAFETY. REPLACE SAFETY CRITICAL COMPONENTS ONLY WITH MANUFACTURER'S RECOMMENDED PARTS

AVERTISSEMENT: ⊛ ILL INDIQUE LES COMPOSANTS CRITIQUES DE SÉCURITÉ. POUR MAINTENIR LE DEGRÉ DE SÉCURITÉ DE L'APPAREIL, NE REMPLACER QUE DES PIÈCES RECOMMANDÉES PAR LE FABRICANT

2) MAIN P.C BOARD A2026A505A  $\checkmark$

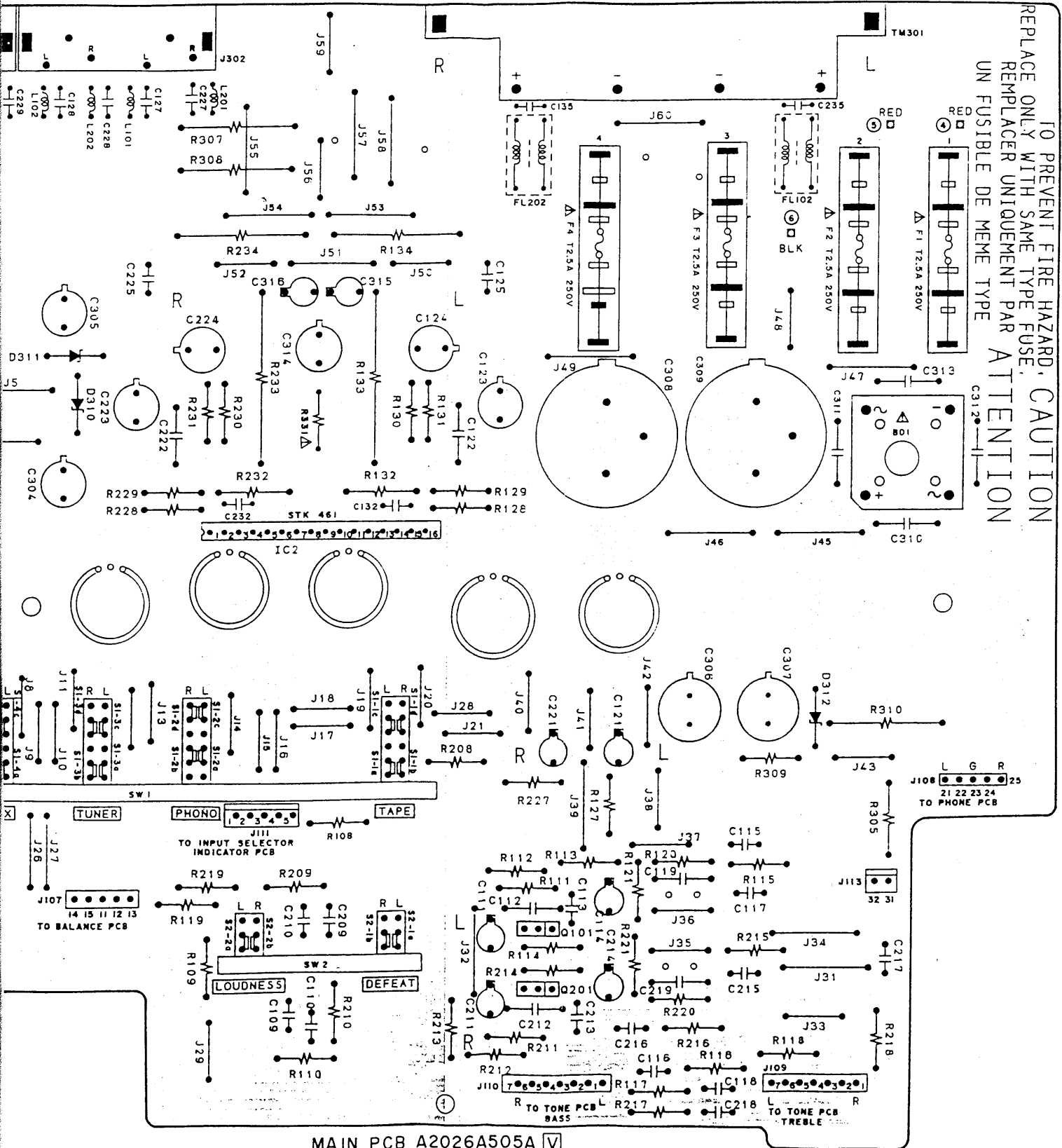


MAIN PCB A2026A505A  $\checkmark$

REC PLAY

SPEAKER

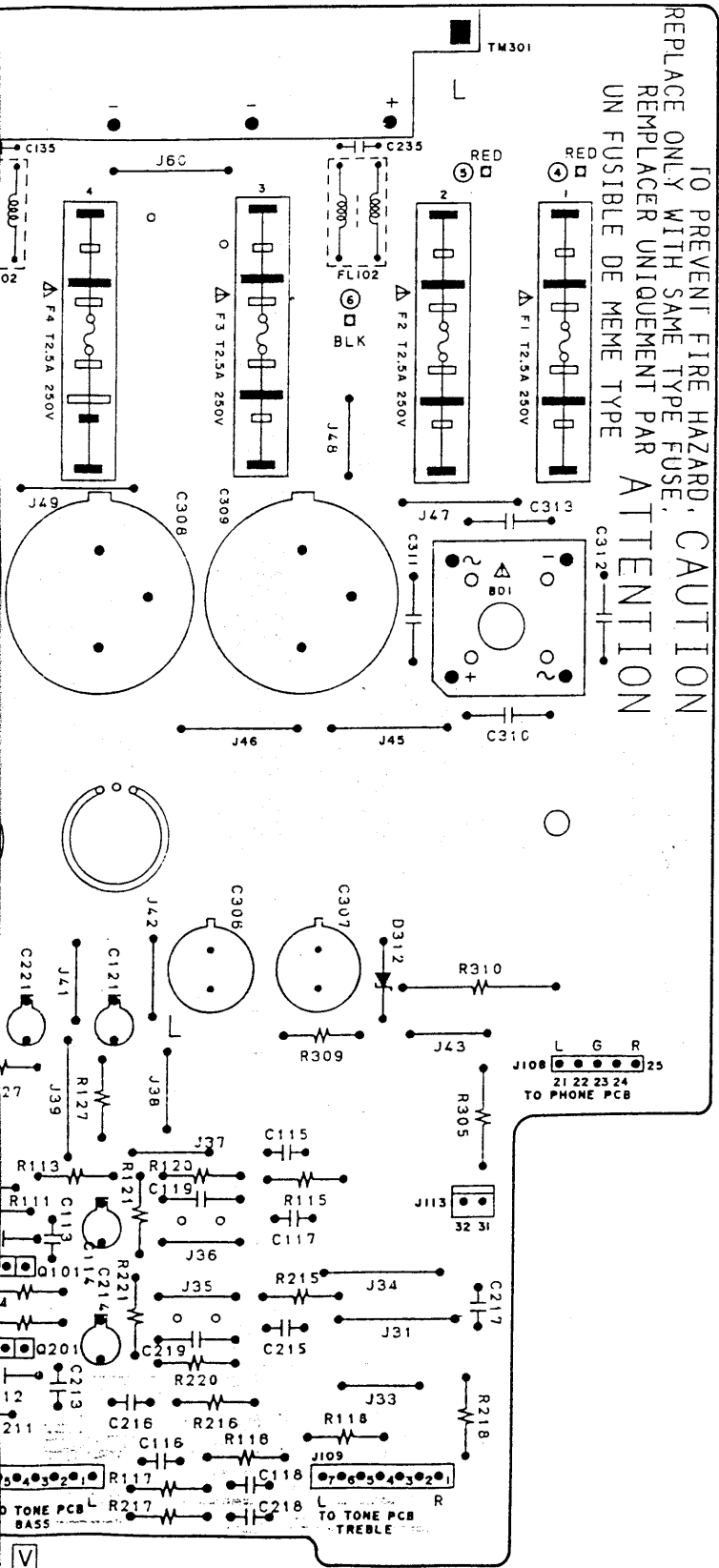
TO PREVENT FIRE HAZARD, CAUTION  
 REPLACE ONLY WITH SAME TYPE FUSE.  
 REMPLACER UNIQUEMENT PAR ATTENTION  
 UN FUSIBLE DE MEME TYPE



MAIN PCB A2026A505A

WARNING:  $\Delta$  INDICATES SAFETY CRITICAL COMPONENTS FOR CONTINUED SAFETY. REPLACE SAFETY CRITICAL COMPONENTS ONLY WITH MANUFACTURER'S RECOMMENDED PARTS  
 AVERTISSEMENT:  $\Delta$  IL INDIQUE LES COMPOSANTS CRITIQUES DE SÉCURITÉ. POUR MAINTENIR LE DEGRÉ DE SÉCURITÉ DE L'APPAREIL, NE REMPLACER QUE DES PIÈCES RECOMMANDÉES PAR LE FABRICANT

SPEAKER



DO NOT PREVENT FIRE HAZARD, CAUTION  
 REPLACE ONLY WITH SAME TYPE FUSE.  
 REMPLACER UNIQUEMENT PAR ATTENTION  
 UN FUSIBLE DE MEME TYPE

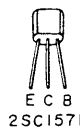
LOCATION OF COMPONENTS

- TR  
 Q101.....C3  
 Q201.....C3

- IC  
 IC1.....A1  
 IC2.....B2

- CONNECTOR  
 J301.....A1  
 J302.....A2  
 J303.....C4  
 J304.....C2  
 J305.....C3  
 J306.....C4  
 J307.....C4

Q101, 201 ..... 2SC1571  
 (F,G,H)

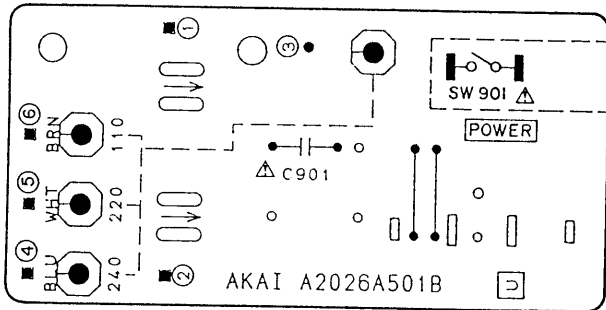


= NPN TRANSISTOR

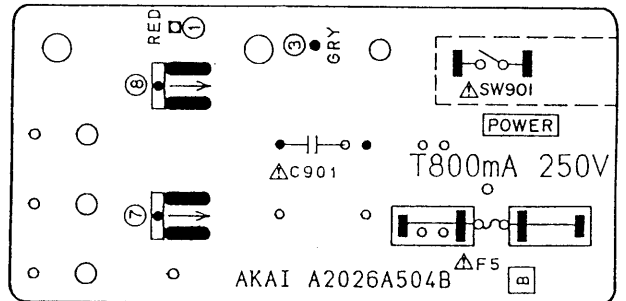
WARNING:  $\Delta$  INDICATES SAFETY CRITICAL COMPONENTS FOR CONTINUED SAFETY. REPLACE SAFETY CRITICAL COMPONENTS ONLY WITH MANUFACTURER'S RECOMMENDED PARTS

AVERTISSEMENT:  $\Delta$  IL INDIQUE LES COMPOSANTS CRITIQUES DE SÉCURITÉ. POUR MAINTENIR LE DEGRÉ DE SÉCURITÉ DE L'APPAREIL, NE REMPLACER QUE DES PIÈCES RECOMMANDÉES PAR LE FABRICANT

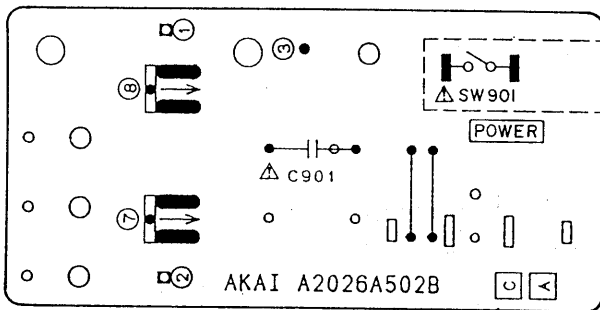
3) POWER SW P.C BOARD A2026A501B U A2026A502B C.A A2026A503B E.S A2026A504B B,  
A2026A505B V



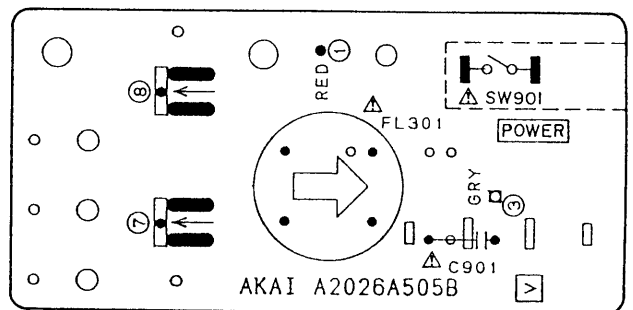
POWER SW PCB A2026A501B U



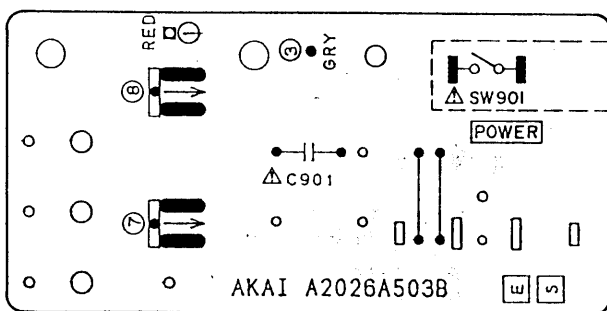
POWER SW PCB A2026A504B B



POWER SW PCB A2026A502B C.A



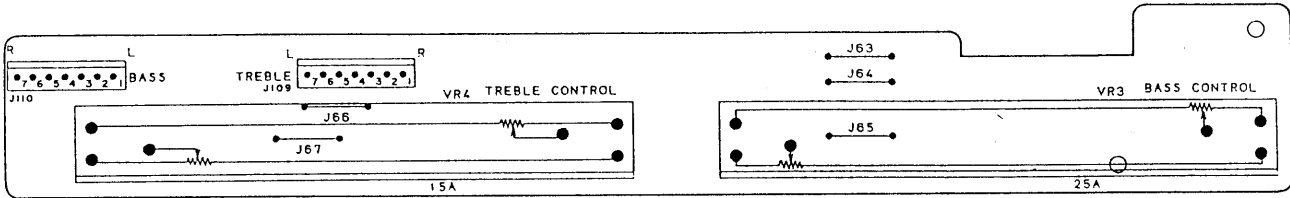
POWER SW PCB A2026A505B V



POWER SW PCB A2026A503B E.S



4) OTHER P.C BOARDS

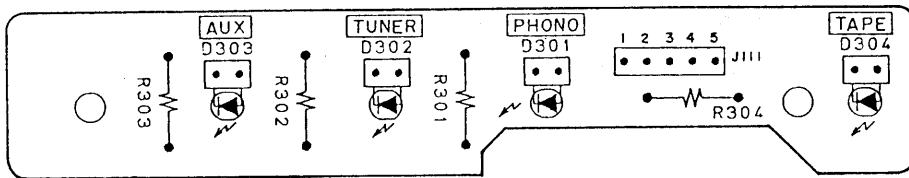


TREBLE

TONE PCB A2026A501 C U

- A502 C A.C
- A503 C E.S
- A504 C B
- A505 C V

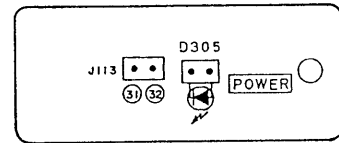
BASS



INPUT SELECTOR INDICATOR PCB

A2026A501F U

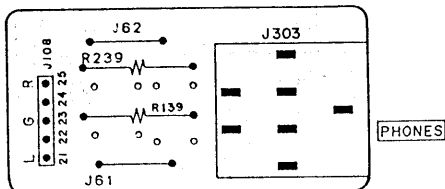
- A502 F A.C
- A503 F E.S
- A504 F B
- A505 F V



POWER INDICATOR PCB

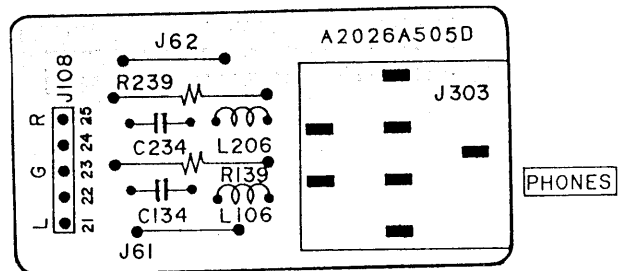
A2026A501 G U

- A502 G A.C
- A503 G E.S
- A504 G B
- A505 G V

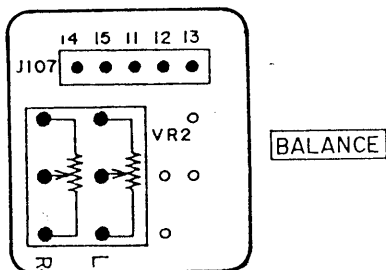


PHONE PCB A2026A501D U

- A502D A.C
- A503D E.S
- A504D B

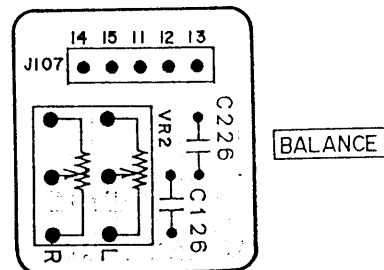


PHONE PCB A2026A505D V

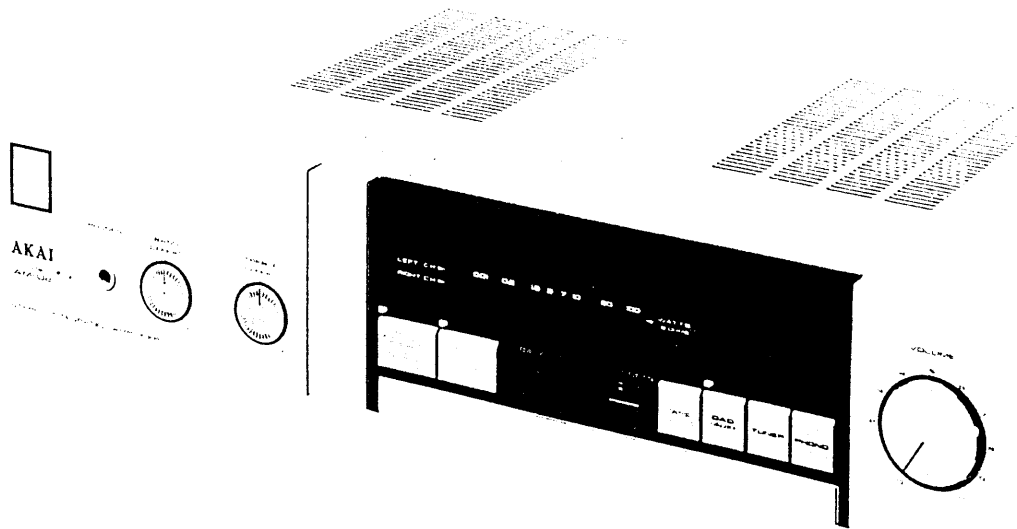


BALANCE PCB A2026A501E U

- A502E A.C
- A503E E.S
- A504E B



BALANCE PCB A2026A505E V



SECTION 2

**SERVICE MANUAL**

**MODEL AM-U2/F**

TABLE OF CONTENTS

I. SPECIFICATIONS .....	14
II. DISMANTLING OF UNIT .....	15
III. CONTROLS .....	16
IV. PRINCIPAL PARTS LOCATION .....	17
V. POWER METER SENSITIVITY ADJUSTMENT .....	17
VI. CLASSIFICATION OF VARIOUS P.C BOARDS .....	18
1. P.C BOARD TITLES AND IDENTIFICATION NUMBER .....	18
2. COMPOSITION OF VARIOUS P.C BOARDS .....	19

For basic adjustments, measuring methods, and operating principles, refer to GENERAL TECHNICAL MANUAL.

# I. SPECIFICATIONS

## POWER AMPLIFIER SECTION

RATED POWER OUTPUT (2 CHANNELS DRIVEN) 20 to 20,000 Hz 1 kHz 1 kHz (AM-U2F)	8 ohms 30W x 2/0.05% 35W x 2/0.7% 42W x 2/0.7%	4 ohms 30W x 2/0.05% 35W x 2/0.7% 42W x 2/0.7%
POWER BAND WIDTH (IHF -3 dB, 8 ohms)	15 Hz to 40 kHz/0.1%	
SIGNAL TO NOISE RATIO (IHF-A) PHONO AUX	72 dB 100 dB	
RESIDUAL NOISE (8 ohms)	300 $\mu$ V	
CHANNEL SEPARATION (IHF, 1 kHz)	50 dB (1 kHz)	
DAMPING FACTOR (1 kHz, 8 ohms)	27	
OUTPUT IMPEDANCE SPEAKERS	8 to 16 ohms (A and B) 4 to 16 ohms (A or B)	

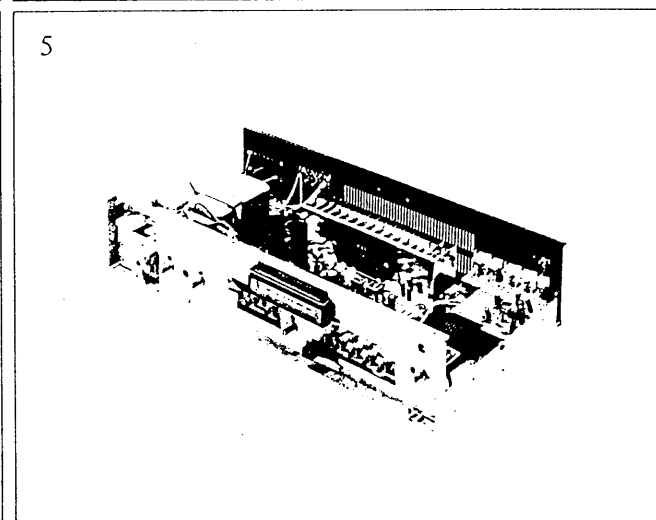
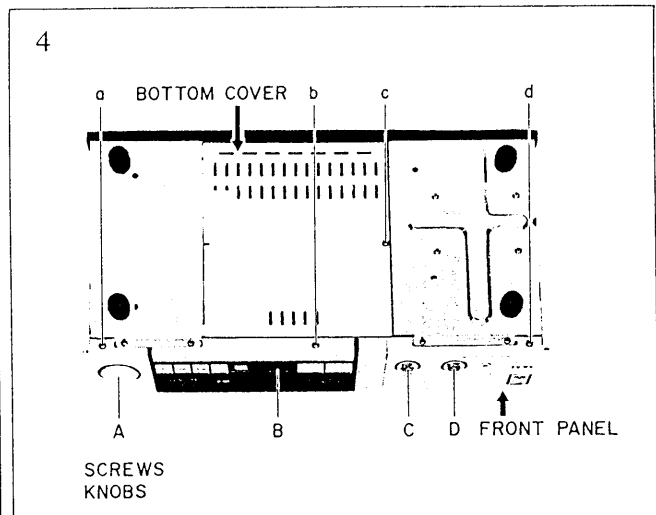
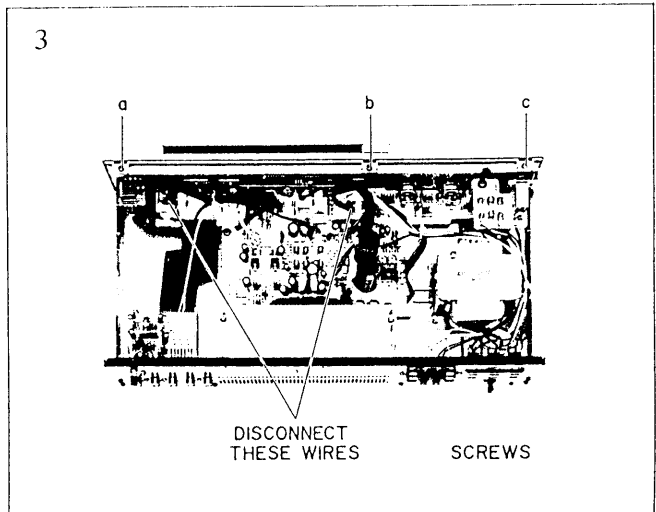
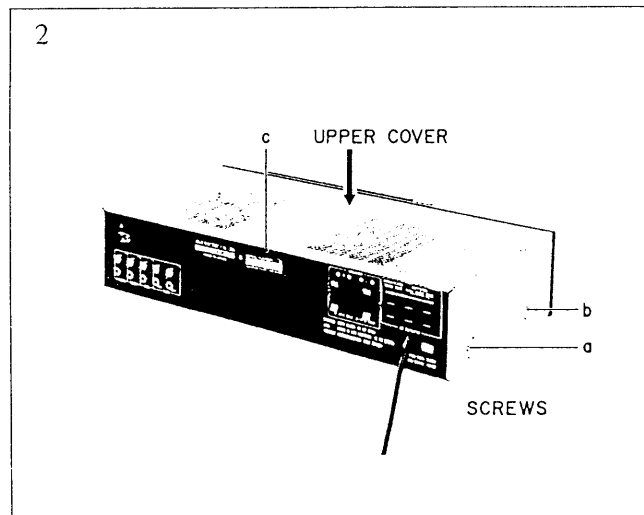
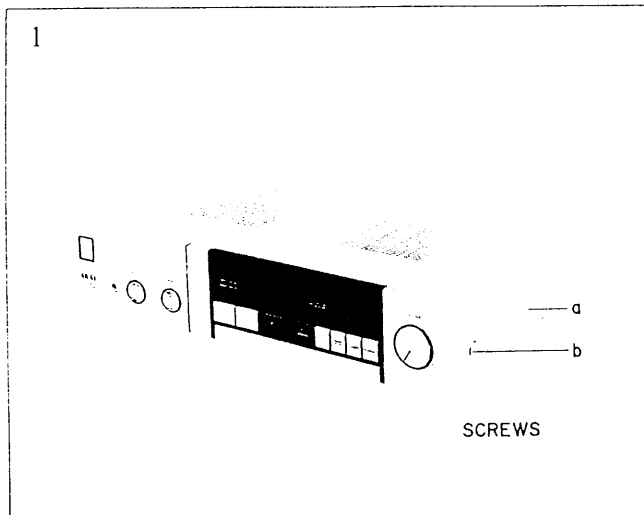
## PREAMPLIFIER SECTION

INPUT SENSITIVITY/IMPEDANCE PHONO AUX TUNER TAPE	2.5 mV/47 kohms 150 mV/47 kohms 150 mV/47 kohms 150 mv/47 kohms	
OUTPUT LEVEL/IMPEDANCE TAPE REC	150 mV	
FREQUENCY RESPONSE PHONO (RIAA DEVIATION) TUNER/AUX/TAPE	$\pm$ 0.5 dB 5 Hz to 80 kHz -3 dB	
TONE CONTROL BASS TREBLE	$\pm$ 8 dB 100 Hz $\pm$ 6 dB 10 kHz	
LOUDNESS CONTROL (VOLUME SET AT -30 dB POSITION)	+10 dB (100 Hz) +6 dB (10 kHz)	
PHONO MAX. INPUT LEVEL (1 kHz)	150 mV	
POWER CONSUMPTION	140W U, A, C	
POWER REQUIREMENT	120V, 60 Hz for USA and Canada 220V, 50 Hz for Europe except UK 240V, 50Hz for UK and Australia 110V/220V/240V, 50/60 Hz internally switchable for other countries.	
DIMENSIONS	440 (W) x 100 (H) x 247 (D) mm (17.3 x 3.9 x 9.7 inches)	
WEIGHT	4.9 kg (10.8 lbs)	

\* For improvement purposes, specifications and design are subject to change without notice.

## II. DISMANTLING OF UNIT

In case of trouble, etc. necessitating dismantling, please dismantle in the order shown in the photographs. Reassemble in reverse order.



### III. CONTROLS

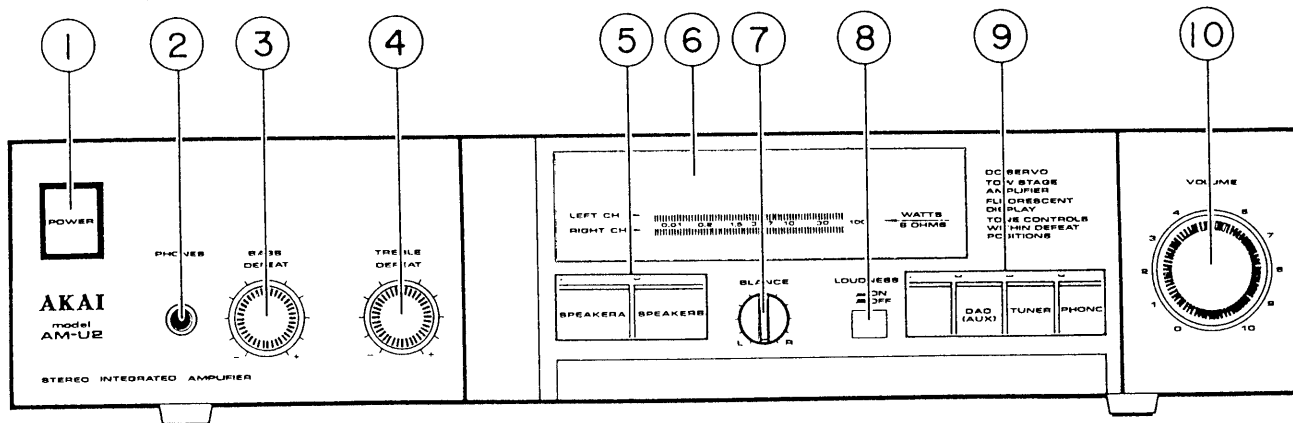


Fig. 3-1 Front View

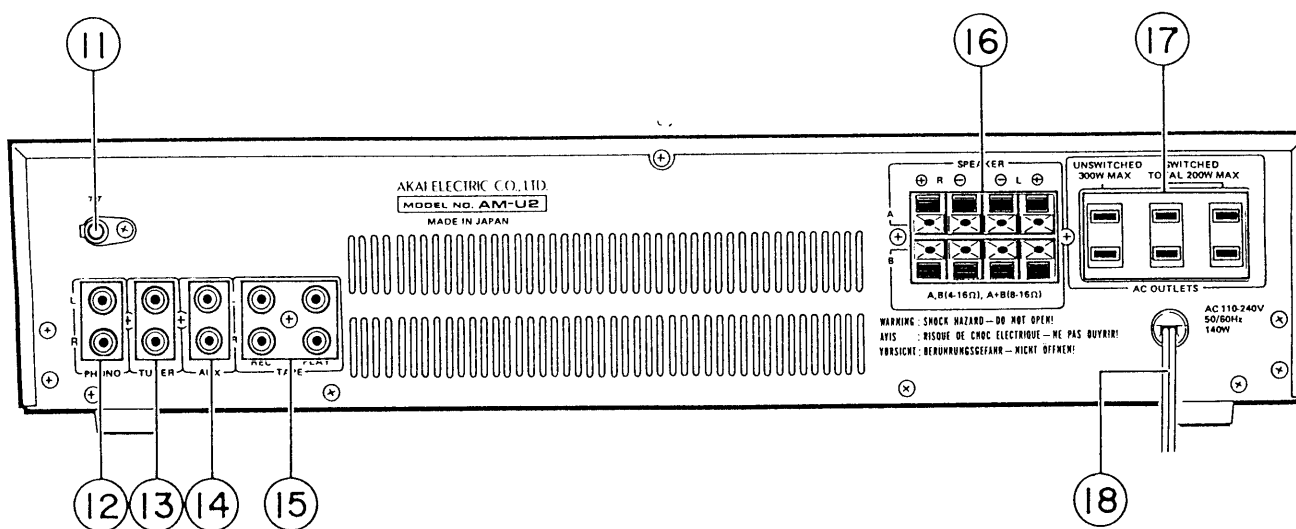


Fig. 3-2 Rear View

- |  |                                     |
|--|-------------------------------------|
| 1. POWER SWITCH  | 10. VOLUME CONTROL                  |
| 2. PHONES JACK   | 11. GROUND TERMINAL (⏏)             |
| 3. BASS TONE CONTROL   | 12. PHONO JACKS                     |
| 4. TREBLE TONE CONTROL   | 13. TUNER JACKS                     |
| 5. SPEAKER SELECTORS AND INDICATORS (A/B)                                    | 14. AUX JACKS                       |
| 6. FL OUTPUT BAR METER   | 15. TAPE REC/PLAY JACKS             |
| 7. BALANCE CONTROL   | 16. SPEAKER TERMINALS (A, B)        |
| 8. LOUDNESS SWITCH   | 17. AC OUTLETS (Not on some models) |
| 9. INPUT SOURCE SELECTORS AND INDICATORS (TAPE, DAD (AUX), TUNER, and PHONO) | 18. AC POWER CORD                   |

## IV. PRINCIPAL PARTS LOCATION

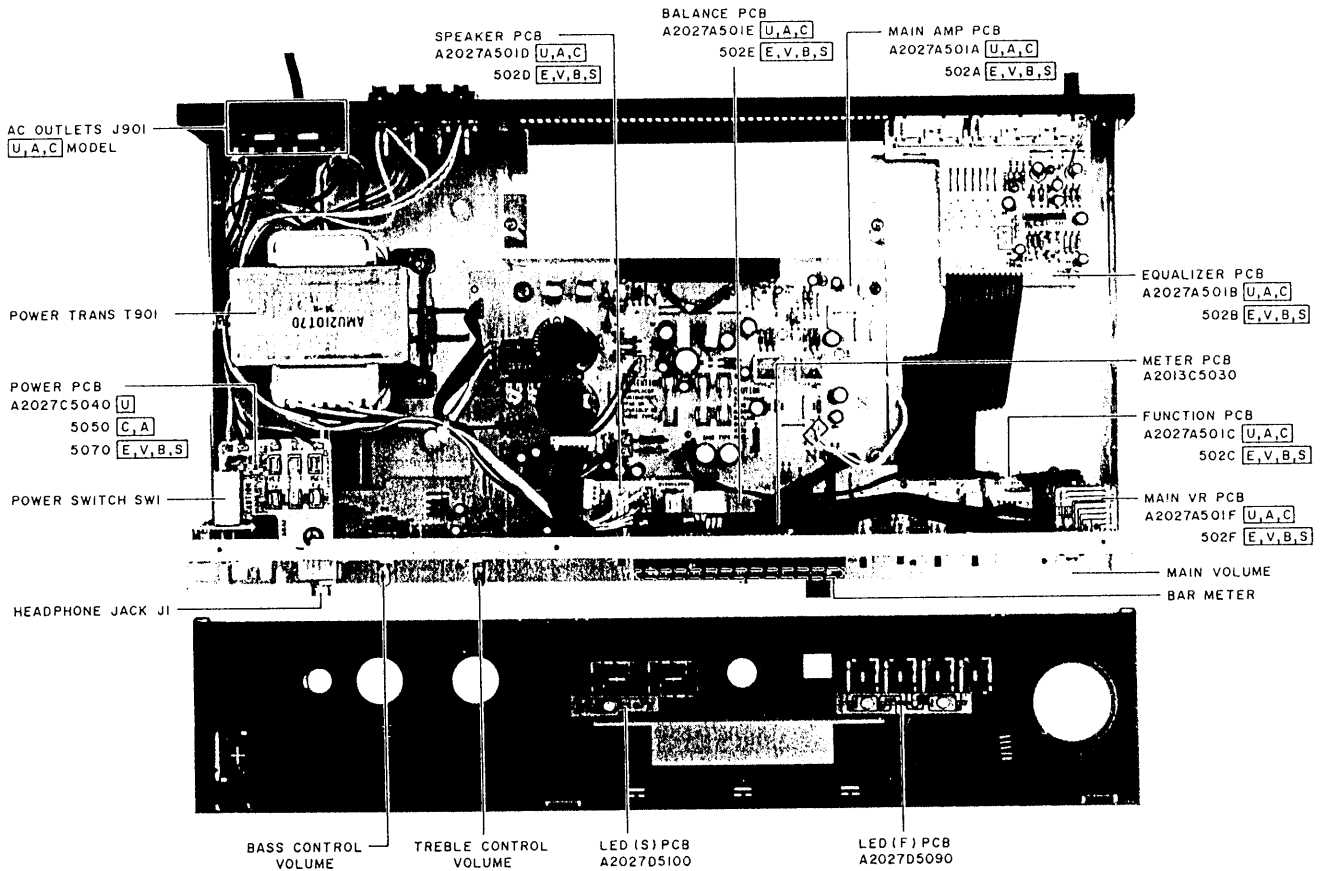


Fig. 4 Top View

For Service Manuals  
**MAURITRON SERVICES**  
 8 Cherry Tree Road, Chinnor  
 Oxfordshire, OX9 4QY.  
 Tel (01844) 351694  
 Fax (01844) 352554  
 email:- sales@mauritron.co.uk

## V. POWER METER SENSITIVITY ADJUSTMENT

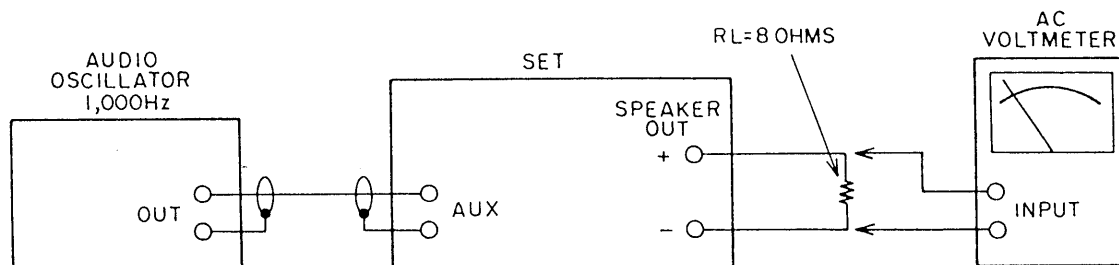


Fig. 5 Instrument Connections

Connect the load resistors ( $RL=8$  ohms) to Speaker terminals. Then apply a 1 kHz signal to the AUX input terminals, adjusting the input level so as to obtain the rated output voltage level (8.94V) at both ends of the

load resistor. Adjust VR3 (Left) and VR3b (Right) on MAIN AMP P.C Board so that the 10 Watts in the Power Meter reading.

## VI. CLASSIFICATION OF VARIOUS P.C BOARD

### 6-1. MODEL AM-U2/F P.C BOARD TITLES AND IDENTIFICATION NUMBER

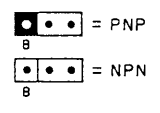
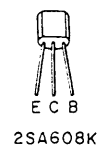
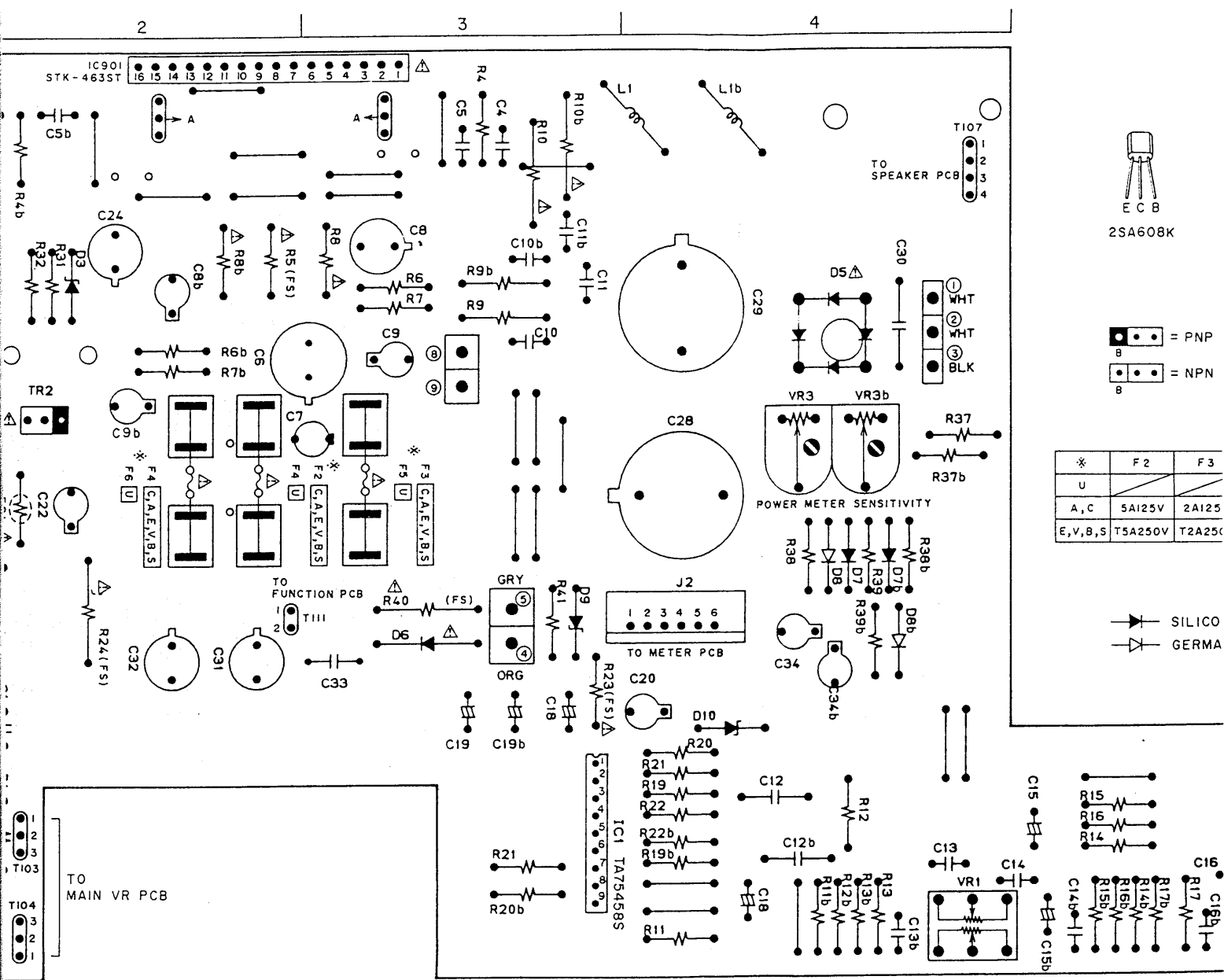
P.C BOARD TITLE	P.C BOARD NUMBER	REMARKS
MAIN AMP P.C Board	A2027A501A	UAC
	A2027A502A	EVBBS
EQUALIZER P.C Board	A2027A501B	UAC
	A2027A502B	EVBBS
FUNCTION P.C Board	A2027A501C	UAC
	A2027A502C	EVBBS
SPEAKER P.C Board	A2027A501D	UAC
	A2027A502D	EVBBS
BALANCE P.C Board	A2027A501E	UAC
	A2027A502E	EVBBS
MAIN VR P.C Board	A2027A501F	UAC
	A2027A502F	EVBBS
LED (F) P.C Board	A2027D5090	
LED (S) P.C Board	A2027D5100	
METER P.C Board	A2013C5030	
POWER P.C Board	A2027C5040	U
	A2027C5050	AC
	A2027C5070	EVBBS
FILTER P.C Board	A2027C5110	V MODEL ONLY





P.C BOARDS

501A U A C, A2027A502A E V B S



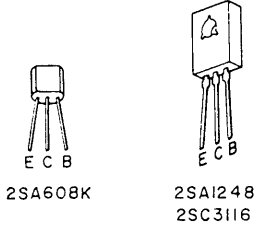
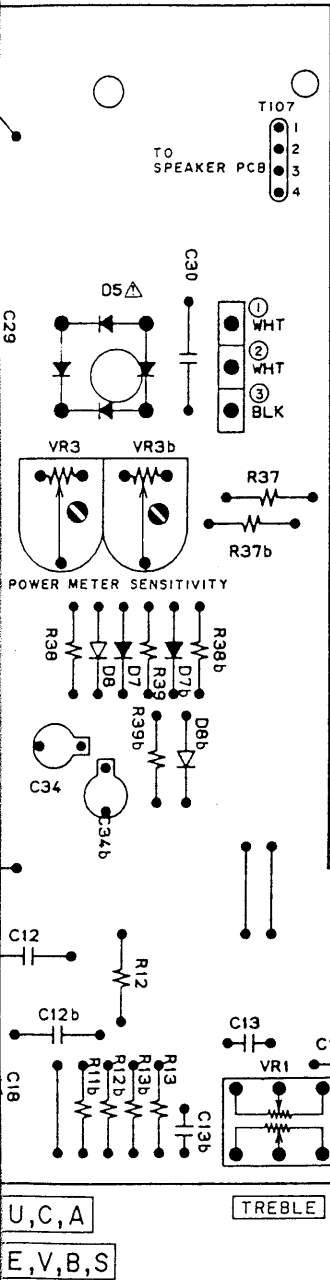
*	F 2	F 3
U		
A, C	5A125V	2A125
E, V, B, S	T5A250V	T2A25C



MAIN AMP PCB A2027A501A U, C, A  
502A E, V, B, S

TREBLE

WARNING: Δ IN  
REP.  
REC.  
AVERTISSEMENT  
POU  
NE F



= PNP TRANSISTOR  
 = NPN TRANSISTOR

*	F2	F3	F4	F5,6
U	/	/	5A125V	2A125V
A, C	5A125V	2A125V	2A125V	/
E, V, B, S	T5A250V	T2A250V	T2A250V	/

SILICON DIODE  
 GERMANIUM DIODE

LOCATION OF COMPONENTS

IC  
 IC1.....C3  
 IC901.....A2

TR  
 TR1.....A1  
 TR1b.....A1  
 TR2.....B2  
 TR3.....B1

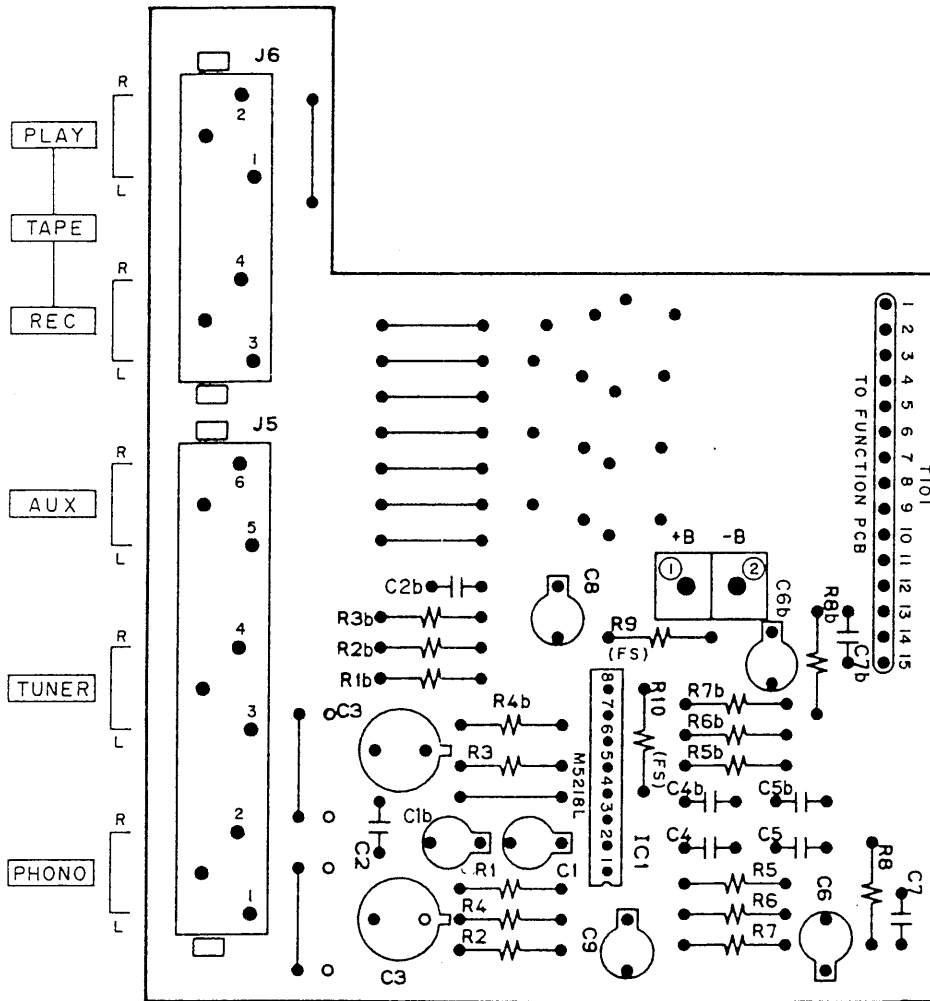
CONNECTOR  
 T103.....C2  
 T104.....C2  
 T106.....C1  
 T107.....A4  
 T111.....B2  
 J2.....B4

① to ③ .....A4  
 ④, ⑤, ⑨ .....B3  
 ⑥, ⑦ .....B1  
 ⑧ .....A3

TR1, 1b --- 2SA608K-NP  
 TR2 ----- 2SA1248  
 TR3 ----- 2SC3116

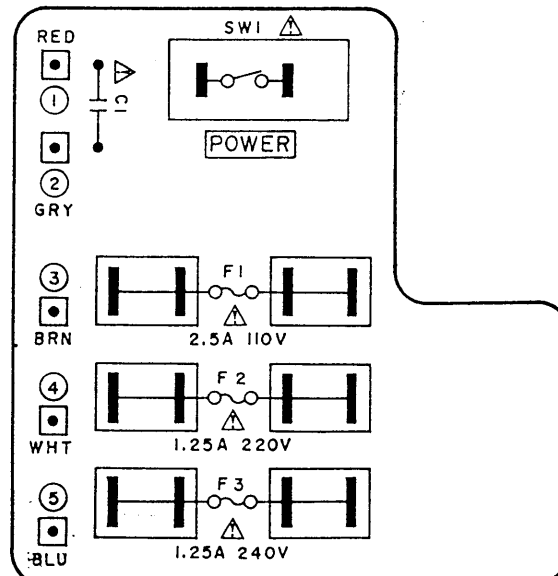
WARNING: INDICATES SAFETY CRITICAL COMPONENTS FOR CONTINUED SAFETY, REPLACE SAFETY CRITICAL COMPONENTS ONLY WITH MANUFACTURER'S RECOMMENDED PARTS  
 AVERTISSEMENT: IL INDIQUE LES COMPOSANTS CRITIQUES DE SÉCURITÉ. POUR MAINTENIR LE DEGRÉ DE SÉCURITÉ DE L'APPAREIL, NE REMPLACER QUE DES PIÈCES RECOMMANDÉES PAR LE FABRICANT

2) EQUALIZER P.C BOARD A2027A501B U A C, A2027A502B E B S V,



EQUALIZER PCB A2027A501B U,A,C  
502B E,B,S

3) POWER P.C BOARD A2027C5040 U, A2027C5050 A C, A2027C5070 E V B S,

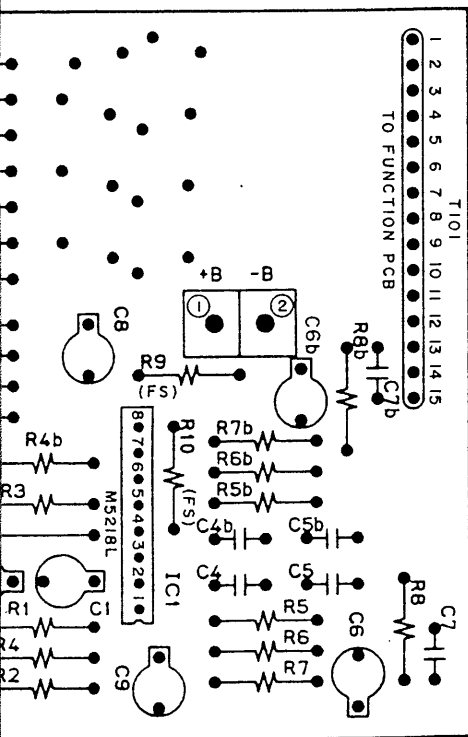


POWER PCB A2027C5040 U



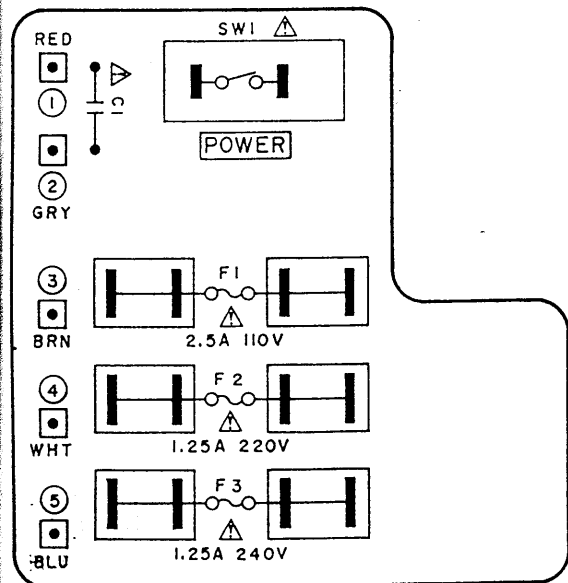
POWER

2027A502B E B S V,

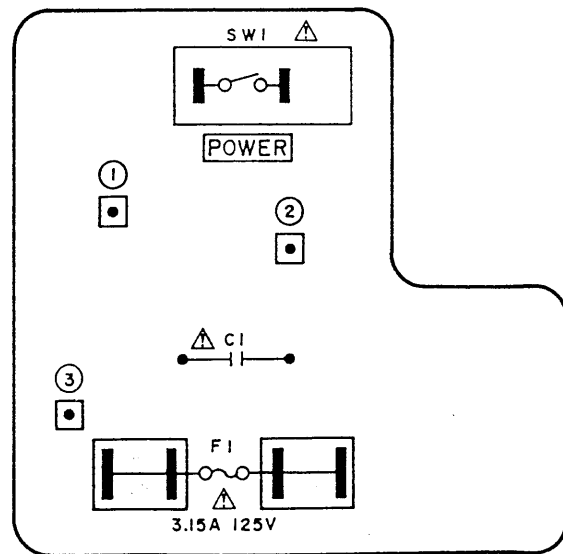


POWER PCB A2027A501B U, A, C  
502B E, B, S

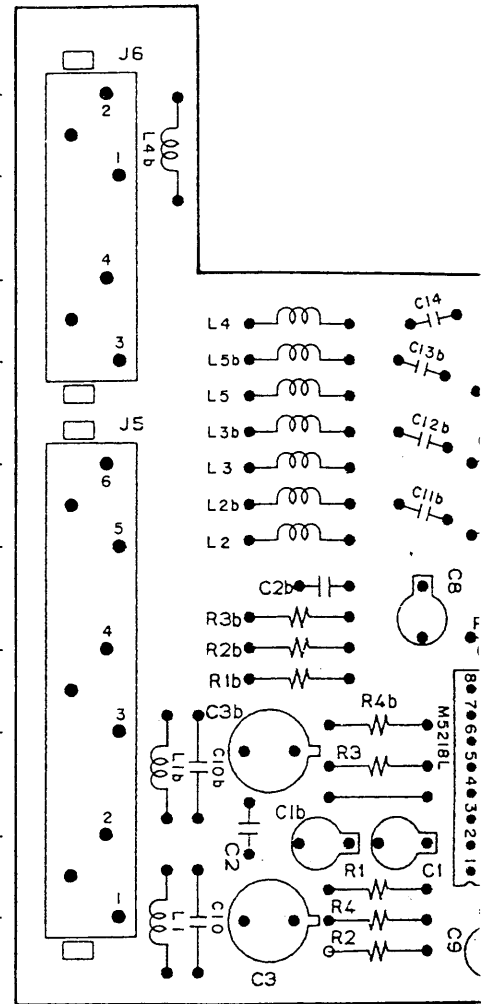
0 A C, A2027C5070 E V B S,



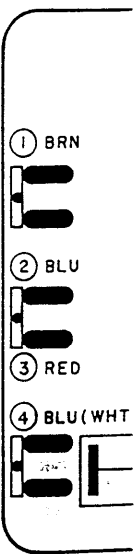
POWER PCB A2027C5040 U



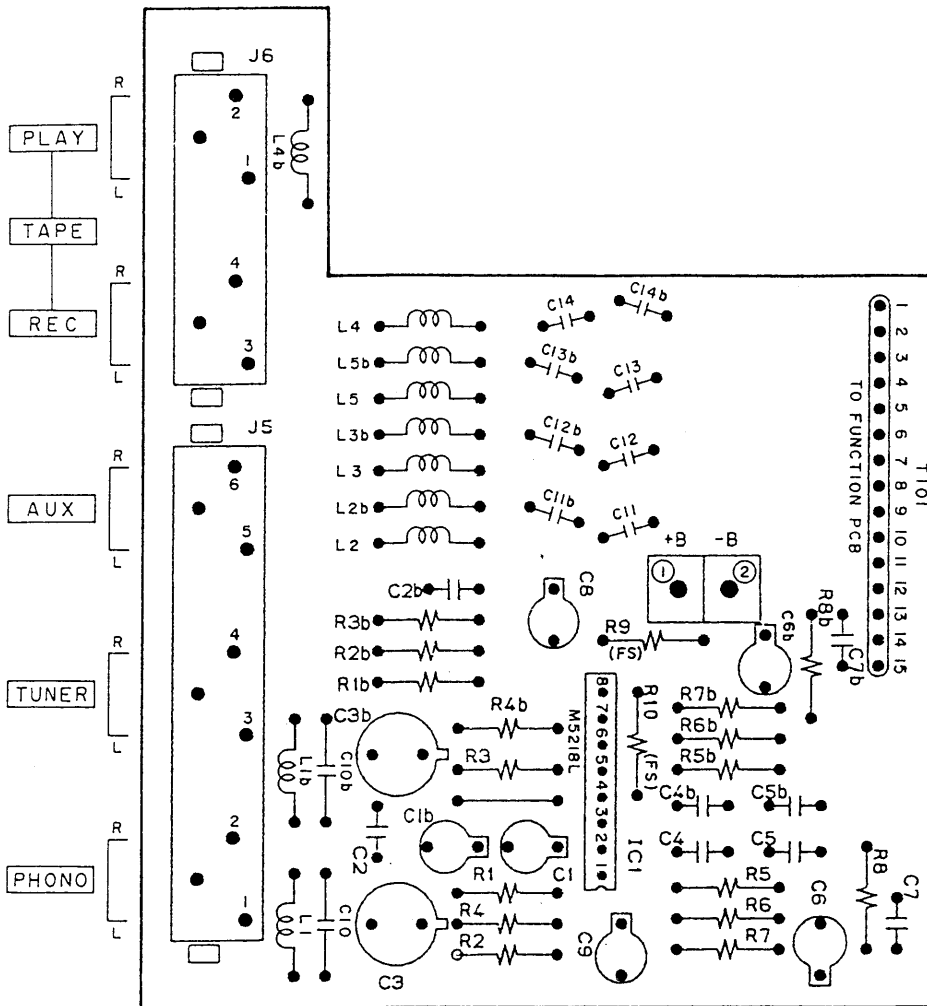
POWER PCB A2027C5050 A, C



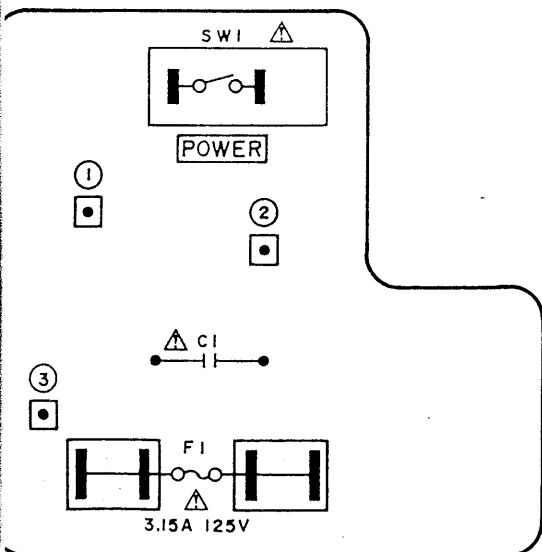
EQUALIZER PCB



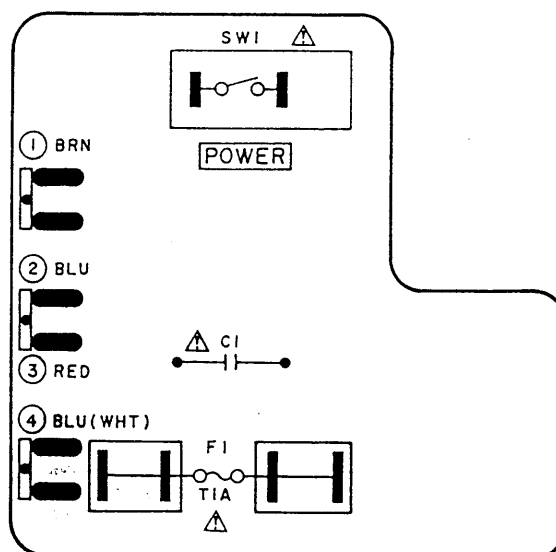
POWER



EQUALIZER PCB A2027A502B V



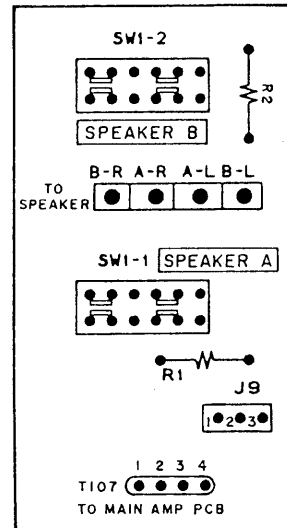
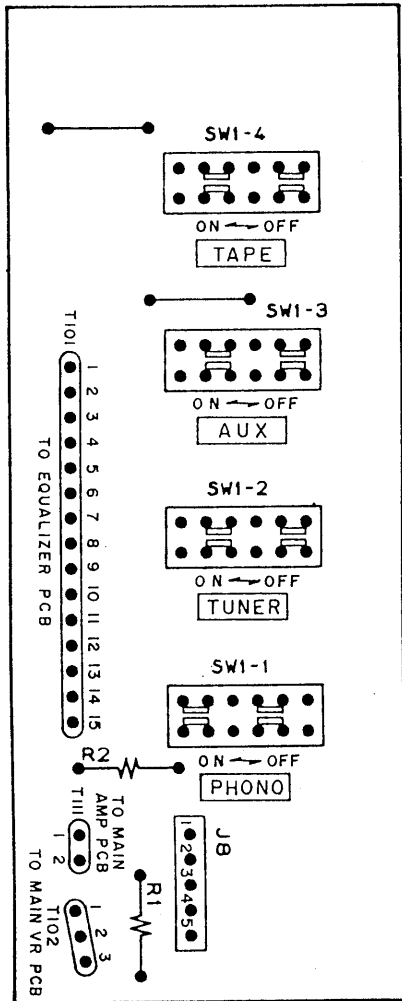
POWER PCB A2027C5050 A,C



POWER PCB A2027C5070 E,V,B,S

4) FUNCTION P.C BOARD A2027A501C U A C  
 A2027A502C E V B S

5) SPEAKER P.C BOARD A2027A501D U A C  
 A2027A502D E V B S ,



SPEAKER PCB  
 A2027A501D U A C  
 502D E V B S

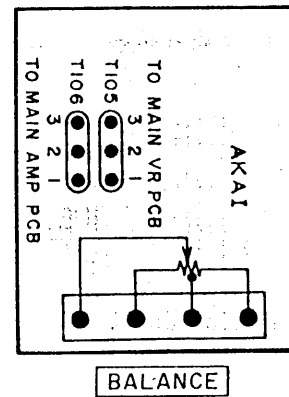
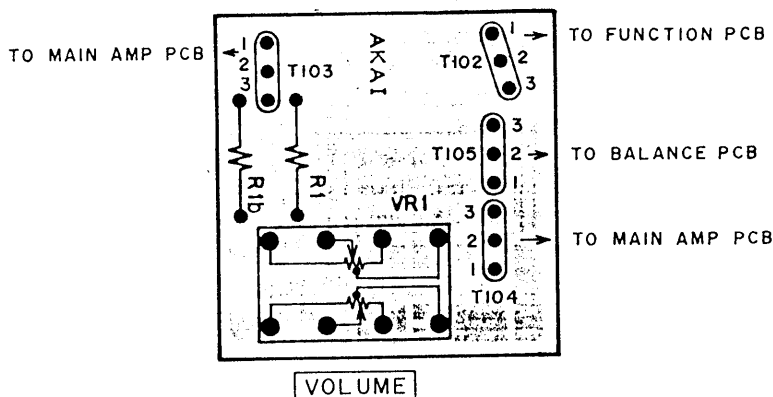
FUNCTION PCB A2027A501C U A C  
 502C E V B S

6) MAIN VR. P.C BOARD A2027A501F U A C  
 A2027A502F E V B S ,

7) BALANCE P.C BOARD A2027A501E U A C  
 A2027A502E E V B S

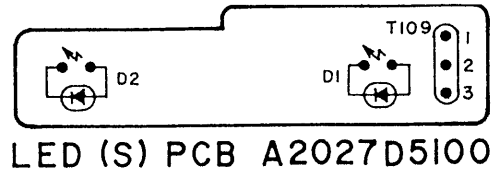
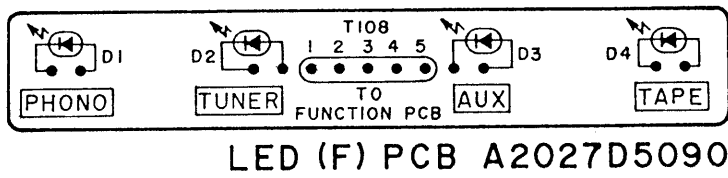
MAIN VR PCB  
 A2027A501F U A C  
 502F E V B S

BALANCE PCB  
 A2027A501E U A C  
 502E E V B S

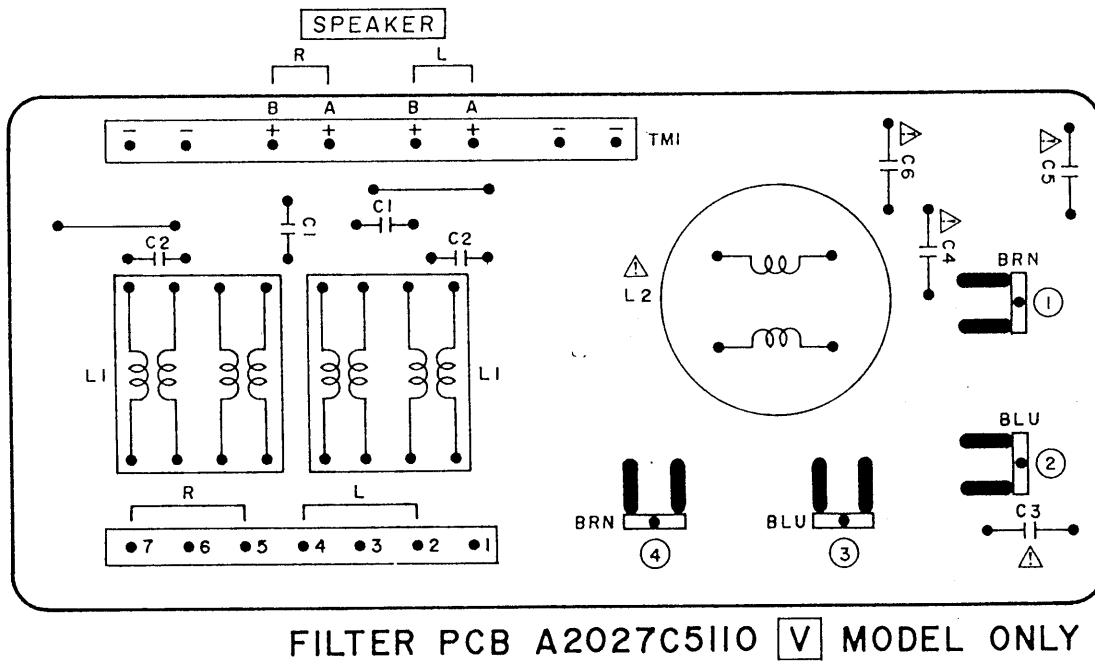


8) LED (F) P.C BOARD A2027D5090,

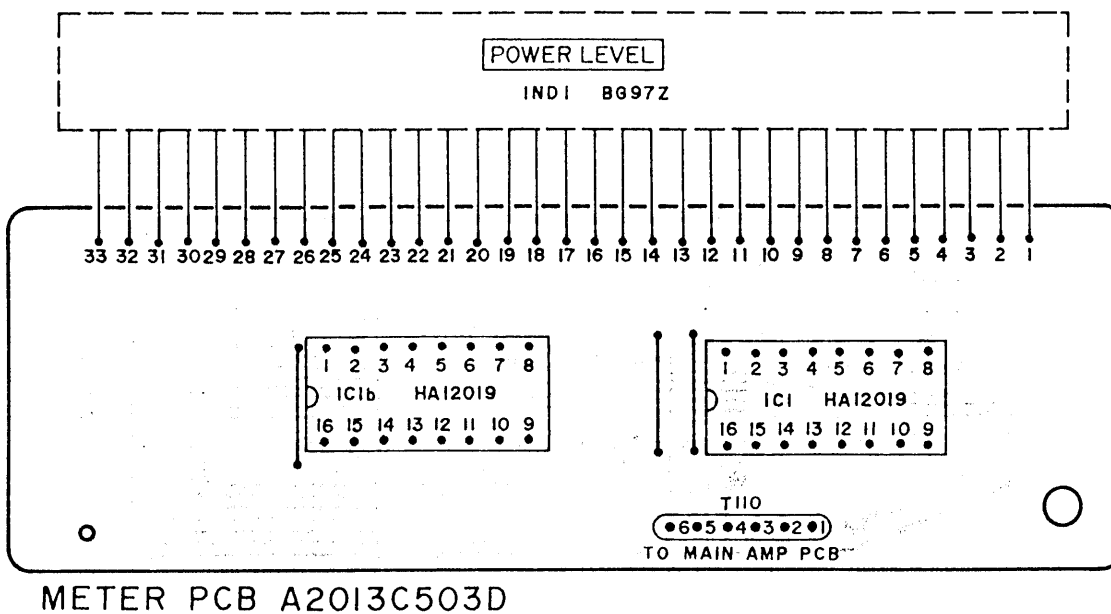
9) LED (S) P.C BOARD A2027D5100



10) FILTER P.C BOARD A2027C5110 [V] MODEL ONLY



11) METER P.C BOARD A2013C503D













---

SECTION 3

**PARTS LIST**

TABLE OF CONTENTS

I. MODEL AM-U1 .....	29
RECOMMENDED SPARE PARTS .....	29
1. MAIN AMP P.C BOARD BLOCK .....	29
2. ASSEMBLY BLOCK .....	30
3. FINAL ASSEMBLY BLOCK .....	31
II. MODEL AM-U2/F .....	32
ROCOMMENDED SPARE PARTS .....	32
1. MAIN P.C BOARD BLOCK .....	33
2. POWER P.C BOARD BLOCK .....	33
3. METER P.C BOARD BLOCK .....	33
4. FILTER P.C BOARD .....	33
5. ASSEMBLY BLOCK .....	34
6. FINAL ASSEMBLY BLOCK .....	35
INDEX .....	36

Resistor and Capacitor which is not listed in this parts list, please refer to  
COMMON LIST FOR SERVICE PARTS.

For Service Manuals  
MAURITRON SERVICES  
8 Cherry Tree Road, Chinnor  
Oxfordshire, OX9 4QY.  
Tel (01844) 351694  
Fax (01844) 352554  
email:- sales@mauritron.co.uk

## ATTENTION

1. When placing an order for parts, be sure to list the parts no., model no., and description. There are instances in which if any of this information is omitted, parts cannot be shipped or the wrong parts will be delivered.
2. Please be careful not to make a mistake in the parts no. If the parts no. is in error, a part different from the one ordered may be delivered.
3. Because parts number and parts unit supply in the Preliminary Parts List may be partially changed, please use this parts list for all future reference.

## HOW TO USE THIS PARTS LIST

1. This Parts List shows the parts that are considered necessary for repairs. Other parts, such as resistors and capacitors, are shown in the "Common List for Service Parts". Select and order such parts from the "Common List for Service Parts".
2. The Recommended Spare Parts shows those parts in the Parts List which are considered particularly important for service.
3. Parts not shown in the Parts List and "Common List for Service Parts" will not be supplied in principle.
4. How to read list

a) Mechanism Block

b) P.C Board Block

### 2. HEAD BASE BLOCK

REF. NO.	PARTS NO.	DESCRIPTION
2-1x	BH-T2023A320A	HEAD BASE BLOCK GX-F66R
2-2	HP-H2206A010A	HEAD R/P PR4-8FU C
2-3	ZS-477876	PAN20x03STL CMT
2-4	ZS-536488	BID20x08STL CMT
2-5	ZG-402895	CS ANGLE ADJUST SPRING

SP (Service Parts) Classification

A small "x" indicates the inability to show that particular part in the Photo or Illustration.

This number corresponds with the individual parts index number in that figure

This number corresponds with the Figure Number

### 6. SYS. CON. P.C BOARD BLOCK

REF. NO.	PARTS NO.	DESCRIPTION
6-1	BA-T2034A070A	PC SYS CON BLK GX-F44R
6-IC1	EI-324536	IC HD14049BP
6-IC2	EI-336801	IC MB8841-564M
6-IC3	EI-331661	IC SN7405N
6-IC4	EI-336725	IC M54527P
6-TR1to4	ET-200985	TR 2SC2603 F,G
6-TR5to28	ET-554657	TR 2SA733A P,Q
6-D1	ED-318292	D SILICON H 1S2473T-77 T26
6-D2to4	ED-308952	D GERMA V 1K34A-LR F07
6-D5to10	ED-318292	D SILICON H 1S2473T-77 T26
6-X1	EI-318384	OSC X'TAL NC-18C 3.579545MHZ

SP (Service Parts) Classification

This reference numbers corresponds with symbol numbers of Schematic Diagrams.

5. Both the kind of part and installation position can be determined by the Parts Number. To determine where a parts number is listed, utilize Parts Index at end of Parts List. It is necessary first of all to find the Parts Number. This can be accomplished by using the Reference Number listed at right of parts number in the Parts Index.

## WARNING

**△ INDICATES SAFETY CRITICAL COMPONENTS FOR CONTINUED SAFETY, REPLACE SAFETY CRITICAL COMPONENTS ONLY WITH MANUFACTURE'S RECOMMENDED PARTS**

## AVERTISSEMENT

**△ IL INDIQUE LES COMPOSANTS CRITIQUES DE SECURITE. POUR MAINTENIR LE DEGRE DE SECURITE DE L'APPAREIL, NE REMPLACER QUE DES PIECES RECOMMANDEES PAR LE FABRICANT**

# I. MODEL AM-U1

## RECOMMENDED SPARE PARTS

Because, if the parts listed below are on hand, almost any repair can be accomplished, we suggest that you stock these Recommended Spare Parts Items.

REF. NO.	PARTS NO.	DESCRIPTION
1	BT-339849	△ TRANS POWER PT401AUBS (T901) (B,S)
2	BT-339848	△ TRANS POWER PT401CE (T901)(E,V)
3	BT-339852	△ TRANS POWER PT401EX (T901)(U)
4	BT-339853	△ TRANS POWER PT401ULCA (T901) (C,A)
5	ED-322773	D LED SLP-255D-01 GRN
6	ED-322247	D LED SLP151D RED
7	ED-200213	D SILICON DBA40C-K15 200/2.6A
8	ED-237960	D ZENER H WZ-150
9	ED-337722	D ZENER H WZ-220
10	EF-337678	△ FUSE B 250V 2.50A (F3,4)(U)
11	EF-337677	△ FUSE B 250V 3.50A (F1,2)(U)
12	EF-300585	△ FUSE EAK T 250V 0.80A (F5)(B)
13	EF-300606	△ FUSE FST3100 T 250V 2.50V (F1T04) (E,V,B,S)
14	EF-557730	△ FUSE ULCS-61M A 250V 3.00A (F3,4) (C,A)
15	EF-341929	△ FUSE ULCS-61ML A 125V 3.50A (F1,2) (C,A)
16	EI-344764	IC M5218P-21
17	EI-338500	IC STK461
18	ER-341920	△ R FUSE ERQ14AJ S10 1/4W 101J
19	ES-337902	△ SW PUSH SDDL1P 01-1
20	ES-341925	SW PUSH ESB-6295 4 THROW
21	ES-341926	SW PUSH ESB-62596 2 HTHROW
22	ET-338543	TR 2SC1571 F,G,H
23	EV-339859	VR ROTARY 16P20×2Z 1Z254
24	EV-345493	VR ROTARY 16P20×3D 31Z254
25	EV-339856	VR SLIDE 60P2SV0E 15A104
26	EV-339857	VR SLIDE 60P2SV0F 25A104

## 1. MAIN AMP P.C BOARD BLOCK

REF. NO.	PARTS NO.	DESCRIPTION
1-1U	BA-A2026A030A	PC MAIN AMP BLK AM-U1(U)
1-1C	BA-A2026A030B	PC MAIN AMP BLK AM-U1(C) (C,A)
1-1E	BA-A2026A030C	PC MAIN AMP BLK AM-U1(E) (E,S)
1-1V	BA-A2026A030D	PC MAIN AMP BLK AM-U1(V)
1-1B	BA-A2026A030E	PC MAIN AMP BLK AM-U1(B)

### MAIN AMP P.C BOARD

1-1C1	EI-344764	IC M5218P-21
1-1C2	EI-338500	IC STK461
1-Q101	ET-338543	TR 2SC1571 F,G,H
1-Q201	ET-338543	TR 2SC1571 F,G,H
1-BD	ED-200213	△ D SILICON DBA40C-K15 200/2.6A
1-D310,311	ED-237960	D ZENER H WZ-150
1-D312	ED-337722	D ZENER H WZ-220
1-J301	EJ-336904	PIN J AJC-036-ACB P 6P
1-J302	EJ-336905	PIN J AJC-035-ACB P 4P
1-SW1	ES-341925	SW PUSH ESB-62595 4 THROW
1-SW2	ES-341926	SW PUSH ESB-62596 2 THROW
1-VR1	EV-345493	VR ORTARY 16P20×3D 31Z254
1-L101to104	EO-318635	COIL FIX 1 LAL04SK 2.20UH K (V ONLY)
1-L105	EO-338420	COIL FIX 2 FL12R202E 2.00MH (V ONLY)
1-L201to204	EO-318635	COIL FIX 1 LAL04SK 2.20UH K (V ONLY)
1-L205	EO-338420	COIL FIX 2 FL12R202E 2.00MH
1-FL10,20	EO-348993	COIL BALUN *AM-U1
1-R133	ER-341921	R OMF H S30-H 3W R33J
1-R134	ER-337668	R OMF H S20-H 2W 4R7J
1-R233	ER-341921	R OMF H S30-H 3W R33J
1-R234	ER-337668	R OMF H S20-H 2W 4R7J
1-R307,308	ER-337669	R OMF H S20-H 2W 122J
1-R310	ER-337670	R OMF H S20-H 2W 681J
1-R311	ER-341920	△ R FUSE ERQ14AJ S10 1/4W 101J
1-C308,309	EC-337962	C EC V CUT SM 472M 35.0DC
1-TM301	EJ-337191	TERMINAL W/SCREW ANB-015- ACA P 4P

### POWER SW P.C BOARD

1-SW901	ES-337902	△ SW PUSH SDDL1P 01-1
1-C901U	EC-320548	△ C CE V F 103Z 250AC (U)
1-C901C	EC-314688	△ C CE V FZ 103P 125AC (C,A)
1-C901E	EC-338496	△ C CE V FZ 472P 400AC (E,V,B,S)
1-FL301	EO-338409	△ COIL LF FK0B160MH02 250UH (V ONLY)

### TONE P.C BOARD

1-VR3	EV-339857	VR SLIDE 60P2SV0F 25A104
1-VR4	EV-339856	VR SLIDE 60P2SV0E 15A104

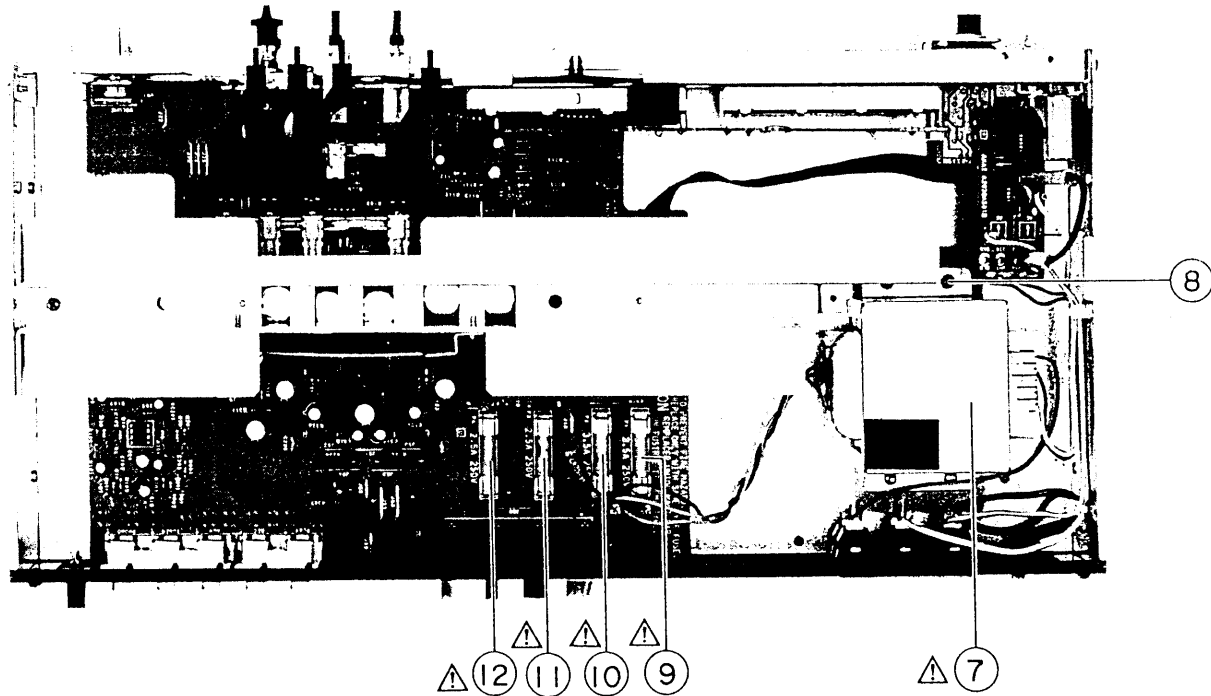
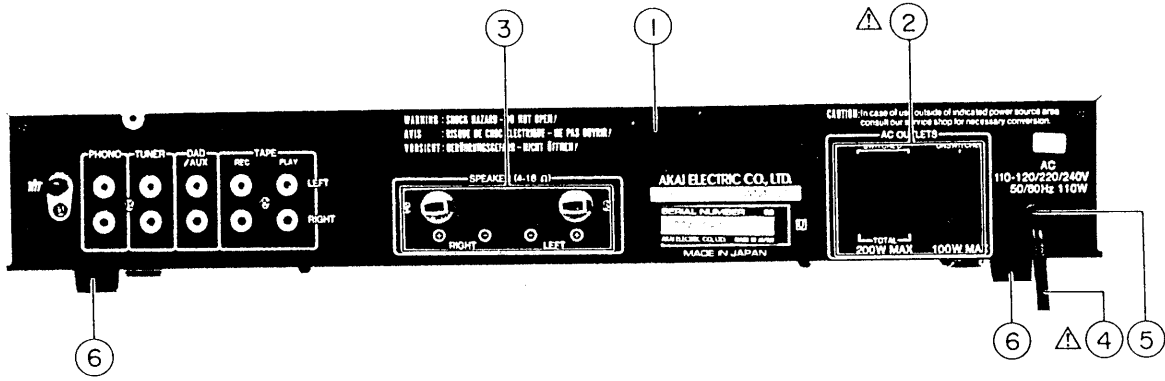
### PHONE P.C BOARD

1-J303	EJ-341924	HONE J 3P HLJ4308-040 6.3 2C
1-L106,206	EO-318635	COIL FIX 1 LAL04SK 2.20UH K (V ONLY)
1-R139,239	ER-341922	R OMF H S15-H 1W 181J

### BALANCE P.C BOARD

1-VR2	EV-339859	VR ROTARY 16P20×2Z 1Z254
-------	-----------	--------------------------

# ASSEMBLY BLOCK

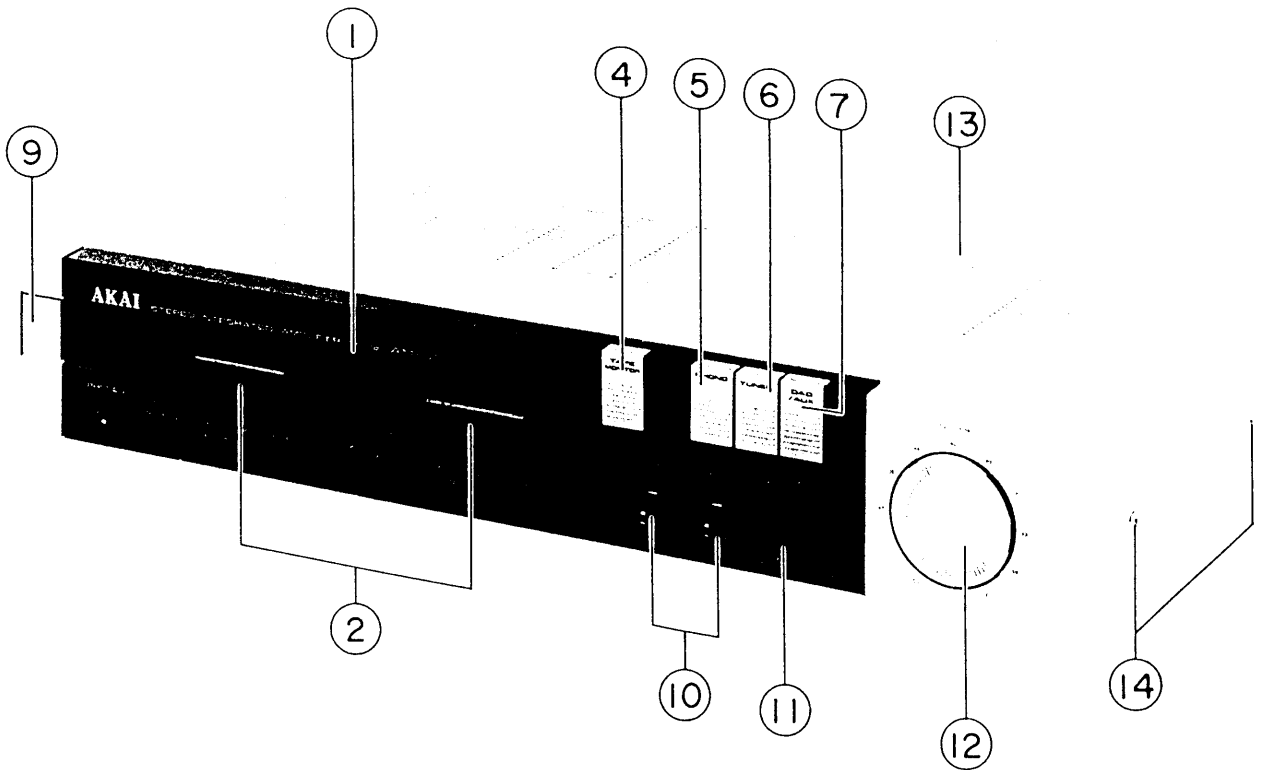


## 2. ASSEMBLY BLOCK

REF. NO.	PARTS NO.	DESCRIPTION	REF. NO.	PARTS NO.	DESCRIPTION
2-1U	SP-341441G	PANEL REAR AM-U1(U)	2-7B	BT-339849	△ TRANS POWER PT401AUBS (T901)(B,S)
2-1C	SP-341441H	PANEL REAR AM-U1(C,A)	2-8	ZS-300519	ST PAN40x08STL CMT
2-1E	SP-341441K	PANEL REAR AM-U1(E)	2-9U	EF-337677	△ FUSE B 250V 3.50A (F1)(U)
2-1V	SP-341441L	PANEL REAR AM-U1(V)	2-9C	EF-341929	△ FUSE ULCS-61ML A 125V 3.50A (F1)(C,A)
2-1B	SP-341441J	PANEL REAR AM-U1(B,S)	2-9E	EF-300606	△ FUSE FST3100 T 250V 2.50V (F1)(E,V,B,S)
2-2	EJ-338519	△ SOCKET OUTLETS 0503#02 UC 3P (J901)(U,C,A)	2-10U	EF-337677	△ FUSE B 250V 3.50A (F2)(U)
2-3	EJ-339850	TERMINAL W/SCREW 2230150 L 1P (TM901)	2-10C	EF-341929	△ FUSE ULCS-61ML A 125V 3.50A (F2)(C,A)
2-4U	EW-374894	△ AC CORD 2 CORES VM-0129A, VFF U/T (U)	2-10E	EF-300606	△ FUSE FST3100 T 250V 2.50V (F2)(E,V,B,S)
2-4C	EW-305691	△ AC CORD 2 CORES KP-8, SPT-1 UC (C,A)	2-11U	EF-337678	△ FUSE B 250V 2.50A (F3)(U)
2-4E	EW-346251	△ AC CORD 2 CORES VM0364, NR N/851 EV (E,V)	2-11C	EF-557730	△ FUSE ULCS-61M A 250V 3.00A (F3)(C,A)
2-4B	EW-346249	△ AC CORD 2 CORES LCFL2 x 0.75 B (B)	2-11E	EF-300606	△ FUSE FST3100 T 250V (F3)(E,V,B,S)
2-4S	EW-336924	△ AC CORD 2 CORES KP-560, LTSA-2F S (S)	2-12U	EF-337678	△ FUSE B 250V 2.50A (F4)(U)
2-5	EZ-631945	STRAIN RELIEF SR-4N-4	2-12C	EF-557730	△ FUSE ULCS-61M A 250V 3.00A (F4)(C,A)
2-6	SA-327847	TRAN LEG T-H	2-12E	EF-300606	△ FUSE FST3100 T 250V 2.50V (F4)(E,V,B,S)
2-7U	BT-339852	△ TRANS POWER PT401EX (T901)(U)	2-13x	EF-300585	△ FUSE EAK T 250V 0.80A (F5)(B ONLY)
2-7C	BT-339853	△ TRANS POWER PT401ULCA (T901)(C,A)	2-14x	ZW-305013	RV POP32 (A ONLY)
2-7E	BT-339848	△ TRANS POWER PT401CE (T901)(E,V)			

PARTS LIST AM-U1

## FINAL ASSEMBLY BLOCK



### 3. FINAL ASSEMBLY BLOCK

REF. NO.	PARTS NO.	DESCRIPTION
3-1	BD-A2026A020A	PANEL FRONT BLK AM-U1
3-1P	BD-A2026A020B	PANEL FRONT BLK AM-U1-P
3-1S	BD-A2026A020C	PANEL FRONT BLK AM-U1-S
3-2	SK-B345384	KNOB SLIDE PART
3-2S	SK-B345384C	KNOB SLIDE-S PART
3-3x	SZ-341455	HOLDER TONE KNOB
3-4	SK-345385A	KNOB PUSH (A)
3-4P	SK-345385E	KNOB PUSH (A)-P
3-5	SK-345385B	KNOB PUSH (B)
3-5P	SK-345385F	KNOB PUSH (B)-P
3-6	SK-345385C	KNOB PUSH (C)
3-6P	SK-345385G	KNOB PUSH(C)-P
3-7	SK-345385D	KNOB PUSH (D)
3-7P	SK-345385H	KNOB PUSH (D)-P
3-8x	ZG-341458	SP PUSH MODE KNOB
3-9	SK-343017C	KNOB POWER (2)
3-9P	SK-343017D	KNOB POWER (2)-P

REF. NO.	PARTS NO.	DESCRIPTION
		<b>FINAL ASSEMBLY BLOCK</b>
3-10	SK-345386	KNOB PUSH
3-10S	SK-345386B	KNOB PUSH
3-11	SK-332534D	KNOB ROTARY (D)
3-11S	SK-332534F	KNOB ROTARY-S
3-12	SK-345375B	KNOB VOLUME (B)
3-12P	SK-345375D	KNOB VOLUME (B)-P
3-13	SP-345379A	COVER UPPER
3-13P	SP-345379B	COVER UPPER-P
3-14	ZS-341959	ST BID40x06STL NI3
3-14P	ZS-341960	ST BID40x06STL BNI

#### INPUT SELECTOR INDICATOR P.C BOARD

3-D301to304 ED-322773 D LED SLP-255D-01 GRN

#### POWER INDICATOR P.C BOARD

3-D305 ED-322247 D LED SLP151D RED



## II. MODEL AM-U2/F

### RECOMMENDED SPARE PARTS

Because, if the parts listed below are on hand, almost any repair can be accomplished, we suggest that you stock these Recommended Spare Parts Items.

REF. NO.	PARTS NO.	DESCRIPTION
1	BT-349205	△ TRANS POWER AM-U2-F40 (T901)(U2-F)
2	BT-336887	△ TRANS POWER AM-U2 10T-20 (T901)(A)
3	BT-336888	△ TRANS POWER AM-U2 10T-30 (T901)(C)
4	BT-336889	△ TRANS POWER AM-U2 10T-40 (T901)(E)
5	BT-336890	△ TRANS POWER AM-U2 10T-40-2 (T901)(V)
6	BT-336891	△ TRANS POWER AM-U2 10T-50 (T901)(B,S)
7	BT-336893	△ TRANS POWER AM-U2 10T-70 (T901)(U)
8	ED-200213	△ D SILICON DBA40C-K15 200/2.6A
9	ED-300924	△ D SILICON GP08D 200/0.8A
10	ED-309341	D GERMA H 1K34A
11	ED-348886	D LED SG238W GRN
12	ED-337395	D LED SR538W RED
13	ED-301911	D SILICON H DS448
14	ED-330218	D ZENER H HZ15L 2
15	ED-344178	D ZENER H HZ18L 2
16	ED-323354	D ZENER H 05Z6.2 X
17	EF-325683	△ FUSE GGS A 125V 5.00A (F2)(C,A)
18	EF-325683	△ FUSE GGS A 125V 5.00 A (F4)(U)
19	EF-623103	△ FUSE SEMKO T 250V 1.00A (F1)(E,V,B,S,U2-F)
20	EF-601301	△ FUSE SEMKO T 250V 2.00A (F3,4)(E,V,B,S,U2-F)
21	EF-249851	△ FUSE SEMKO T 250V 5.00A (F2)(E,V,B,S,U2-F)
22	EF-306949	△ FUSE TSC A 250V 1.25A (F2,3)(U 220/240V)
23	EF-306951	△ FUSE TSC A 250V 2.50A (F1)(U 110V)
24	EF-306954	△ FUSE TSC 125V 2.00A (F3,4)(C,A)
25	EF-306954	△ FUSE TSC 125V 2.00A (F5,6)(U)
26	EF-323080	△ FUSE TSC 125V 3.15A (F1)(C,A)
27	EI-315799	IC HA12019
28	EI-336917	△ IC STK463 ST (IC901)(EXCEPT U2-F)
29	EI-349206	△ IC STK465A ST (IC901)(U2-F)
30	EI-346071	IC M5218L-21
31	EI-322599	IC TA75458S
32	EM-336916	IND FL BG189Z GRAPH
33	ER-200595	△ R FUSE ERD2FC S10 1/4W 5R6J
34	ES-337902	△ SW PUSH SDLD1P 01-1
35	ES-336897	SW PUSH ESB-62532 2-02-02S
36	ES-348891	SW PUSH ESB-62785 4-THROW
37	ES-348892	SW PUSH ESB-62786 2-THROW
38	ET-345626	△ TR 2SA1248 S,T
39	ET-345625	△ TR 2SC3116 S,T
40	ET-322778	TR 2SA608K-NP E,F,G
41	EV-315412	R S-FIX H D8 3P 502
42	EV-336911	VR ROTARY 16P10x1J SPECIAL W105
43	EV-348887	VR ROTARY 16P20x3E C104
44	EV-348888	VR ROTARY 16P20x3F B104
45	EV-348889	VR ROTARY 16P20x3G C104

## 1. MAIN P.C BOARD BLOCK

REF. NO.	PARTS NO.	DESCRIPTION
1-1U	BA-A2027A020A	PC MAIN BLK AM-U2 (U) (U,C,A)
1-1E	BA-A2027A020B	PC MAIN BLK AM-U2 (E) (E,B,S)
1-1V	BA-A2027A020C	PC MAIN BLK AM-U2 (V) (V)
1-1UP	BA-A2027A020D	PC MAIN BLK AM-U2-P (U) (U,C,A)
1-1EP	BA-A2027A020E	PC MAIN BLK AM-U2-P (E) (E,B,S)
1-1VP	BA-A2027A020F	PC MAIN BLK AM-U2-P (V) (V)
1-1F	BA-A2027A020G	PC MAIN BLK AM-U2-F (U2-F)

### MAIN AMP P.C BOARD

1-IC1A	EI-322599	IC TA75458S
1-TR1A	ET-322778	TR 2SA608K-NP E,F,G
1-TR2A	ET-345626	△ TR 2SA1248 S,T
1-TR3A	ET-345625	△ TR 2SC3116 S,T
1-D1A,2A	ED-301911	D SILICON H DS448
1-D3A,4A	ED-344178	D ZENER H HZ18L 2
1-D5A	ED-200213	△ D SILICON DBA40C-K15 200/2.6A
1-D6A	ED-300924	△ D SILICON GP08D 200/0.8A
1-D7A	ED-301911	D SILICON H DS448
1-D8A	ED-309341	D GERMA H 1K34A
1-D9A	ED-323354	D ZENER H 05Z6.2 X
1-D10A	ED-330218	D ZENER H HZ15L 2
1-J1A	EJ-336900	PHONE J 3P HLJ0316-523 6.3
1-J1AP	EJ-336901	PHONE J 3P HLJ0316-520 6.3 (U2-P)
1-SW1A	ES-336897	SW PUSH ESB-52512 2-02-025
1-L1A	EO-336902	COIL DET 2 106AK-026 1.00UH
1-L2A	EO-336934	COIL FIX 1 LAL03KH 2.20UH M (V ONLY)
1-VR1A	EV-348889	VR ROTARY 16P20×3G C104
1-VR2A	EV-348887	VR ROTARY 16P20×3E C104
1-VR3A	EV-315412	R S-FIX H D8 3P 502
1-FR1A,2A	ER-200595	△ R FUSE ERD2FC S10 1/4W 5R6J
1-R5A	ER-322787	△ R CB H S10 FS RDS 1/4W 100J
1-R8A	ER-336920	△ R CT P F09 PLATE 3W R33K
1-R10A	ER-308875	△ R CB H S15 FS RDS 1/2W 100J
1-R23A	ER-316802	△ R CB H S10 FS RDS 1/4W 471J
1-R24A	ER-321153	△ R OMF H S15 FS 1W 102J
1-R36A	ER-308028	△ R OMF H S15 FS 1W 181J
1-R40A	ER-336919	△ R OMF H S15 FS 1W 121J
1-C4A	EC-346879	C PP V F05 PP 221J 50DC
1-C5A	EC-350672	C PP V F05 PP 681J 50DC
1-C28A	EC-343382	C EC V CUT SM 682M 45.0DC
1-C28AF	EC-306321	C EC V S10 NM 472 50.0DC (U2-F)
1-C29A	EC-343382	C EC V CUT SM 682M 45.0DC
1-C29AF	EC-306321	C EC V S10 NM 472 50.0DC (U2-F)

### EQUALIZER P.C BOARD

1-IC1B	EI-346071	IC M5218L-21
1-J5B	EJ-336904	PIN J AJC-036-ACB P 6P
1-J6B	EJ-336905	PIN J AJC-035-ACB P 4P
1-L1B	EO-338420	COIL FIX 2 FL12R202E 2.00MH (V ONLY)
1-L2Bto5B	EO-336934	COIL FIX 1 LAL03KH 2.20UH M (V ONLY)
1-R9B,10B	ER-316802	△ R CB H S10 FS RDS 1/4W 471J
1-C2B	EC-345606	C PP V F05 PP 101J 50DC

### FUNCTION P.C BOARD

1-SW1C	ES-348891	SW PUSH ESB-62785 4-THROW
--------	-----------	---------------------------

### SP P.C BOARD

1-SW1D	ES-348892	SW PUSH ESB-62786 2-THROW
--------	-----------	---------------------------

### BALANCE P.C BOARD

1-VR1E	EV-336911	VR ROTARY 16P10×1J SPECIAL W105
--------	-----------	---------------------------------

### MAIN VR P.C BOARD

1-VR1F	EV-348888	VR ROTARY 16P20×3F B104
--------	-----------	-------------------------

## 2. POWER P.C BOARD BLOCK

REF. NO.	PARTS NO.	DESCRIPTION
2-SW1	ES-337902	△ SW PUSH SDLD1P 01-1
2-C1U	EC-320548	△ C CE V F 103Z 250AC (U)
2-C1C	EC-314688	△ C CE V FZ 103P 125AC (C,A)
2-C1E	EC-338496	△ C CE V FZ 472P 400AC (E,V,B,S,U2-F)

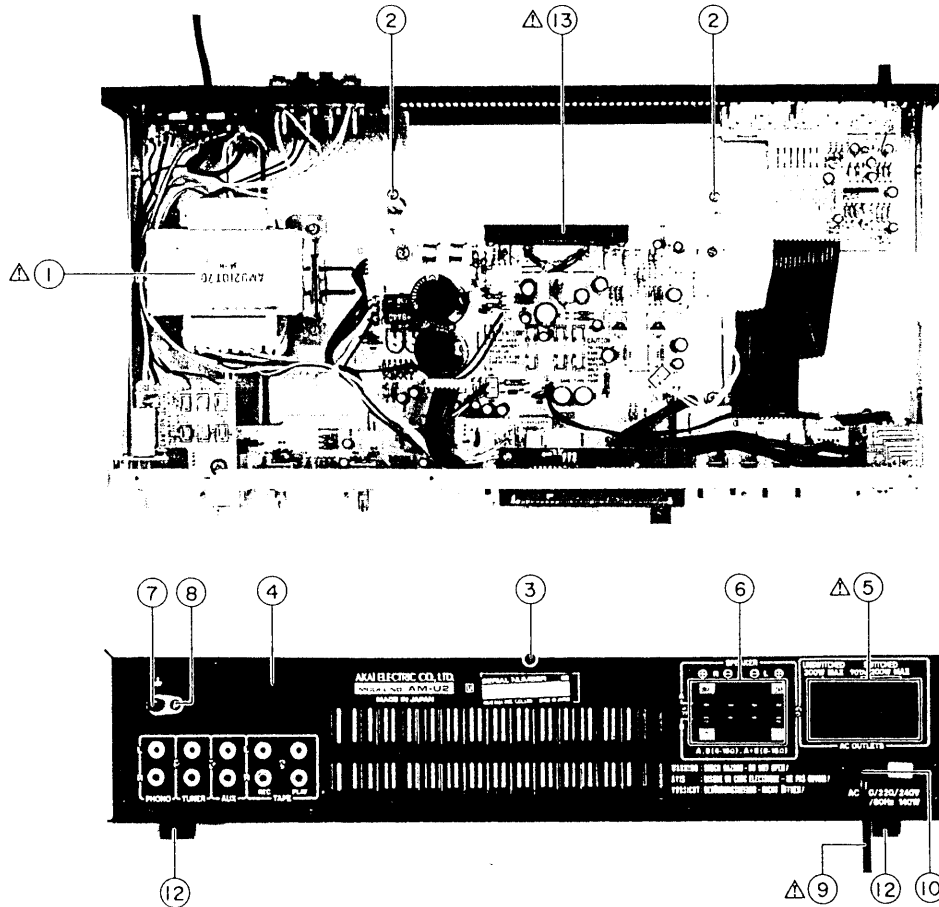
## 3. METER P.C BOARD BLOCK

REF. NO.	PARTS NO.	DESCRIPTION
3-IC1	EI-315799	IC HA12019
3-IND1	EM-336916	IND FL BG189Z GRAPH

## 4. FILTER P.C BOARD (V MODEL ONLY)

REF. NO.	PARTS NO.	DESCRIPTION
4-TM1	EJ-343378	TERMINAL PUSH SQ-2783#90 P 8P
4-L1	EO-342936	COIL BALUN
4-L2	EO-338409	COIL LF FKOB160MH02 250UH
4-C1,C2	EC-684718	C CE V F 103Z 50DC

# ASSEMBLY BLOCK

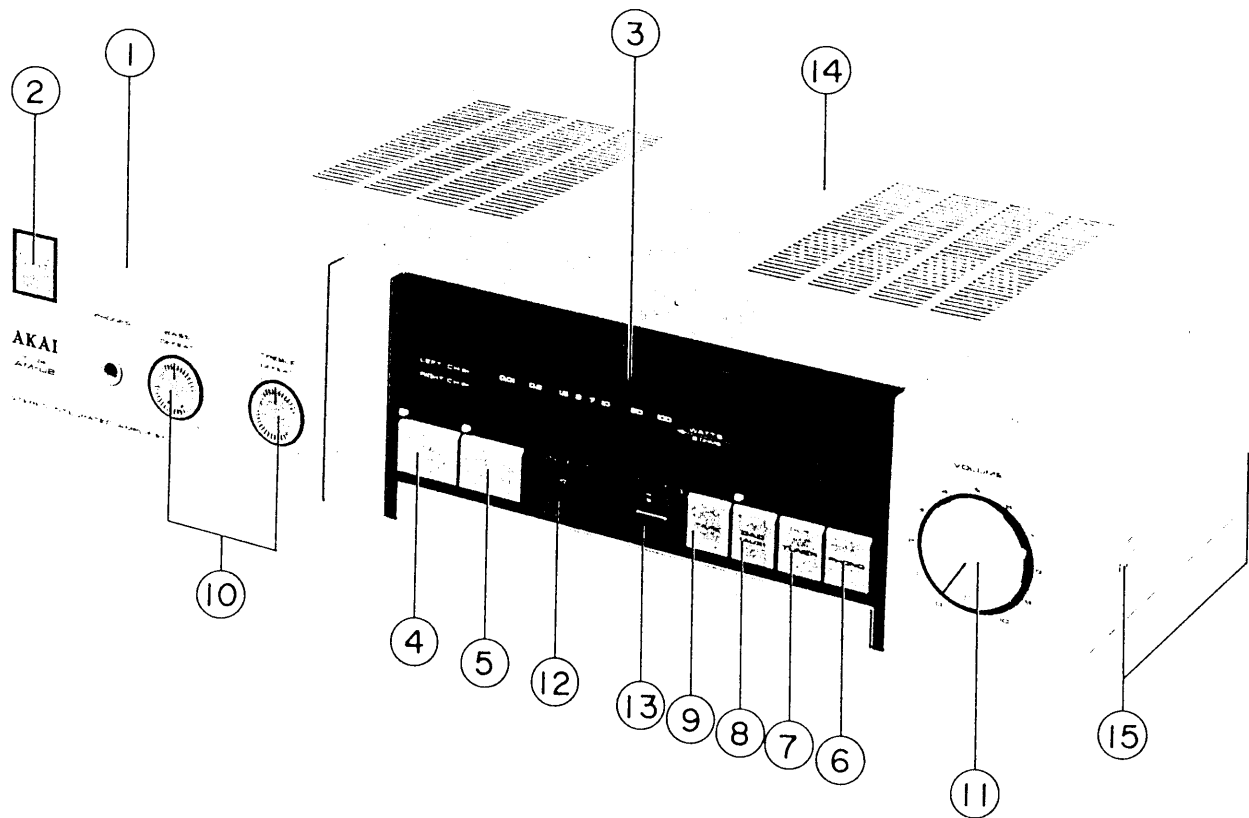


## 5. ASSEMBLY BLOCK

REF. NO.	PARTS NO.	DESCRIPTION
<b>ASSEMBLY BLOCK</b>		
5-1U	BT-336893	△ TRANS POWER AM-U210T-70 (T901)(U)
5-1C	BT-336888	△ TRANS POWER AM-U210T-30 (T901)(C)
5-1A	BT-336887	△ TRANS POWER AM-U210T-20 (T901)(A)
5-1E	BT-336889	△ TRANS POWER AM-U210T-40 (T901)(E)
5-1V	BT-336890	△ TRANS POWER AM-U210T-40-2 (T901)(V)
5-1B	BT-336891	△ TRANS POWER AM-U210T-50 (T901)(B,S)
5-1F	BT-349205	△ TRANS POWER AM-U2-F40 (T901)(U2-F)
5-2	ZS-322541	SCREW HEAT SINK
5-3	ZS-319460	T2BR30×06STL BZN PROJECTION
5-4U	SP-345706A	PANEL REAR AM-U2 (U)
5-4C	SP-345706B	PANEL REAR AM-U2 (C,A)
5-4E	SP-345706C	PANEL REAR AM-U2 (E,V)
5-4B	SP-345706D	PANEL REAR AM-U2 (B,S)
5-4F	SP-345706E	PANEL REAR AM-U2 (F)(U2-F)
5-5U	EJ-240535	△ SOCKET OUTLET S-16526 U 3×2P (J901)(U,A)
5-5C	EJ-332248	△ SOCKET OUTLET S-16527#01 3×2P (J901)(C)
5-6	EJ-343389	TERMINAL PUSH S-Q2780#90 S 8P (TM901)(EXCEPT V)
5-7	EJ-329610	TERMINAL W/SCREW UB-0067 L 1P (TM902)
5-8	ZS-447761	T2BR30×06STL BNI
5-9U	EW-306428	△ AC CORD 2 CORES KP-700A, VFF U/T (U)

REF. NO.	PARTS NO.	DESCRIPTION
5-9C	EW-305691	△ AC CORD 2 CORES KP-8, SPT-1 UC (C,A)
5-9E	EW-336923	△ AC CORD 2 CORES KP-419C, LTCE-2F EV (E,V,U2-F)
5-9B	EW-347025	△ AC CORD 2 CORES LTBS-2F B (B)
5-9S	EW-336924	△ AC CORD 2 CORES KP-560, LTSA-2F S (S)
5-10	EZ-631945	STRAIN RELIEF SR-4N-4
5-11x	ZW-305013	RV POP32 (A ONLY)
5-12	SA-332850	ROUND FOOT
5-F1U	EF-306951	△ FUSE TSC A 250V 2.50A (U 110V AREA)
5-F2U	EF-306949	△ FUSE TSC A 250V 1.25A (U 220V AREA)
5-F3U	EF-306949	△ FUSE TSC A 250V 1.25A (U 240V AREA)
5-F4U	EF-325863	△ FUSE GGS A 125V 5.00A (U)
5-F5U,6U	EF-306954	△ FUSE TSC 125V 2.00A (U)
5-F1C	EF-323080	△ FUSE TSC 125V 3.15A (C,A)
5-F2C	EF-325683	△ FUSE GGS A 125 V 5.00A (C,A)
5-F3C,4C	EF-306954	△ FUSE TSC 125V 2.00A (C,A)
5-F1E	EF-623103	△ FUSE SEMKO T 250V 1.00A (E,V,B,S,U2-F)
5-F2E	EF-249851	△ FUSE SEMKO T 250V 5.00A (E,V,B,S,U2-F)
5-F3E,4E	EF-601301	△ FUSE SEMKO T 250V 2.00A (E,V,B,S,U2-F)
<b>HEAT SINK BLOCK</b>		
5-13U	EI-336917	△ IC STK463 ST (IC901) (EXCEPT U2-F)
5-13F	EI-349206	△ IC STK465A ST (IC901)(U2-F)

**FINAL ASSEMBLY BLOCK**



**6. FINAL ASSEMBLY BLOCK**

REF. NO.	PARTS NO.	DESCRIPTION
6-1	BD-A2027A060A	PANEL FRONT BLK AM-U2
6-1P	BD-A2027A060B	PANEL FRONT BLK AM-U2-P
<b>PANEL FRONT BLOCK</b>		
6-2	SK-343017C	KNOB POWER (2)
6-2P	SK-343017D	KNOB POWER (2)-P
6-3	SE-345106B	WINDOW METER (B)
6-4	SK-345703A	KNOB PUSH (B-1)
6-4P	SK-345703B	KNOB PUSH (B-1)-P
6-5	SK-345703C	KNOB PUSH (B-2)
6-5P	SK-345703D	KNOB PUSH (B-2)-P
6-6	SK-345704A	KNOB PUSH (A-1)
6-6P	SK-345704B	KNOB PUSH (A-1)-P
6-7	SK-345704C	KNOB PUSH (A-2)
6-7P	SK-345704D	KNOB PUSH (A-2)-P
6-8	SK-345704E	KNOB PUSH (A-3)
6-8P	SK-345704F	KNOB PUSH (A-3)-P
6-9	SK-345704G	KNOB PUSH (A-4)
6-9P	SK-345704H	KNOB PUSH (A-4)-P

**LED (S) P.C BOARD**

6-D1A,2A	ED-348886	D LED SG238W GRN
----------	-----------	------------------

REF. NO.	PARTS NO.	DESCRIPTION
<b>LED (F) P.C BOARD</b>		
6-D1Bto3B	ED-348886	D LED SG238W GRN
6-D4B	ED-337395	D LED SR538W RED
<b>FINAL ASSEMBLY BLOCK</b>		
6-10	SK-345701A	KNOB ROTARY (A)
6-10P	SK-345701B	KNOB ROTARY (A)-P
6-11	SK-345702A	KNOB ROTARY (B)
6-11P	SK-345702B	KNOB ROTARY (B)-P
6-12	SK-332534D	KNOB ROTARY (D)
6-13	SK-345700	KNOB PUSH (C)
6-14	SP-332527C	COVER UPPER (B)
6-14P	SP-332527D	COVER UPPER (B)-P
6-15	ZS-322570	ST BID40x08STL N13

**SYMBOL FOR COLOR VARIATION**  
 NONE-SILVER  
 P-PEARL SHADOW

# INDEX

## 1. MODEL AM-U1

PARTS NO.	REF. NO.	PARTS NO.	REF. NO.	PARTS NO.	REF. NO.	PARTS NO.	REF. NO.	PARTS NO.	REF. NO.
BA-A2026A030A	1-1U	EF-341929	2-10C	ES-337902	1-SW901	SP-341441K	2-1E		
BA-A2026A030B	1-1C	EF-557730	2-11C	ES-341925	1-SW1				
BA-A2026A030C	1-1E	EF-557730	2-12C	ES-341926	1-SW2	SP-341441L	2-1V		
BA-A2026A030D	1-1V	EI-338500	1-IC2	ET-338543	1-Q101	SP-345379A	3-13		
BA-A2026A030E	1-1B	EI-344764	1-IC1	ET-338543	1-Q201	SP-345379B	3-13P		
BD-A2026A020A	3-1	EJ-336904	1-J301	EV-339856	1-VR4	SZ-341455	3-3X		
BD-A2026A020B	3-1P	EJ-336905	1-J302	EV-339857	1-VR3	ZG-341458	3-8X		
BD-A2026A020C	3-1S	EJ-337191	1-TM301	EV-339859	1-VR2	ZS-300519	2-8		
BT-339848	2-7E	EJ-338519	2-2	EV-345493	1-VR1	ZS-341959	3-14		
BT-339849	2-7B	EJ-339850	2-3	EW-305691	2-4C	ZS-341960	3-14P		
		EJ-341924	1-J303	EW-336924	2-4S	ZW-305013	2-14X		
BT-339852	2-7U	EO-318635	1-L101	EW-346249	2-4B				
BT-339853	2-7C	EO-318635	1-L102	EW-346251	2-4E				
EC-314688	1-C901C	EO-318635	1-L103	EW-374894	2-4U				
EC-320548	1-C901U			EZ-631945	2-5				
EC-337962	1-C308	EO-318635	1-L104	SA-327847	2-6				
EC-337962	1-C309	EO-318635	1-L201	SK-B345384	3-2				
EC-338496	1-C901E	EO-318635	1-L202	SK-345384C	3-2S				
ED-200213	1-BD	EO-318635	1-L106						
ED-237960	1-D310	EO-318635	1-L206	SK-332534D	3-11				
ED-237960	1-D311	EO-318635	1-L203	SK-332534F	3-11S				
		EO-318635	1-L204	SK-343017C	3-9				
ED-322247	3-D305	EO-338409	1-FL301	SK-343017D	3-9P				
ED-322773	3-D301	EO-338420	1-L105	SK-345375B	3-12				
ED-322773	3-D302	EO-338420	1-L205	SK-345375D	3-12P				
ED-322773	3-D303			SK-345385A	3-4				
ED-322773	3-D304	EO-348993	1-FL10	SK-345385B	3-5				
ED-337722	1-D312	EO-348993	1-FL20	SK-345385C	3-6				
EF-300585	2-13X	ER-337668	1-R234	SK-345385D	3-7				
EF-300606	2-9E	ER-337668	1-R134						
EF-300606	1-10E	ER-337669	1-R307	SK-345385E	3-4P				
EF-300606	2-11E	ER-337669	1-R308	SK-345385F	3-5P				
		ER-337670	1-R310	SK-345385G	3-6P				
EF-300606	1-12E	ER-341920	1-R311	SK-345385H	3-7P				
EF-337677	2-9U	ER-341921	1-R233	SK-345386	3-10				
EF-337677	2-10U	ER-341921	1-R133	SK-345386B	3-10S				
EF-337678	1-11U			SP-341441G	2-1U				
EF-337678	2-12U	ER-341922	1-R139	SP-341441H	2-1C				
EF-341929	2-9C	ER-341922	1-R239	SP-341441J	2-1B				

## 2. MODEL AMU2/F

PARTS NO.	REF. NO.	PARTS NO.	REF. NO.	PARTS NO.	REF. NO.	PARTS NO.	REF. NO.	PARTS NO.	REF. NO.
BA-A2027A020A	1-1U	ED-337395	6-D4B	EJ-343389	5-6	EW-336924	5-9S	ZS-447761	5-8
BA-A2027A020B	1-1E	ED-344178	1-D3A	EM-336916	3-IDN1	EW-347025	5-9B	ZW-305013	5-11X
BA-A2027A920C	1-1V	ED-344178	1-D4A	EO-336902	1-L1A				
BA-A2027A020D	1-1UP	ED-348886	6-D1A	EO-336934	1-L2A	EZ-631945	5-10		
BA-A2027A020E	1-1EP			EO-336934	1-L2B	SA-332850	5-12		
BA-A2027A020F	1-1VP	ED-348886	6-D2A	EO-336934	1-L3B	SE-345106B	6-3		
BA-A2027A020G	1-1F	ED-348886	6-D1B	EO-336934	1-L4B	SK-332534D	6-12		
BD-A2027A060A	6-1	ED-348886	6-D2B	EO-336934	1-L5B	SK-343017C	6-2		
BD-A2027A060B	6-1P	ED-348886	6-D3B	EO-338409	4-L2	SK-343017D	6-2P		
BT-336887	5-1A	EF-249851	5-F2E	EO-338420	1-L1B	SK-345700	6-13		
		EF-306949	5-F2U	EO-342936	4-L1	SK-345701A	6-10		
BT-336888	5-1C	EF-306949	5-F3U	ER-200595	1-FR1A	SK-345701B	6-10P		
BT-336889	5-1E	EF-306951	5-F1U	ER-200595	1-FR2A	SK-345702A	6-11		
BT-336890	5-1V	EF-306954	5-F5U	ER-308028	1-F36A				
BT-336891	5-1B	EF-306954	5-F6U	ER-308875	1-R10A	SK-345702B	6-11P		
BT-336893	5-1U			ER-316802	1-R23A	SK-345703A	6-4		
BT-349205	5-1F	EF-306954	5-F3C	ER-316802	1-R9B	SK-345703B	6-4P		
EC-306321	1-C28AF	EF-306954	5-F4C	ER-316802	1-R10B	SK-345703C	6-5		
EC-306321	1-C29AF	EF-323080	5-F1C	ER-321153	1-R24A	SK-345703D	6-5P		
EC-314688	2-C1C	EF-325683	5-F4U			SK-345704A	6-6		
EC-320548	2-C1U	EF-325683	5-F2C	ER-322787	1-R5A	SK-345704B	6-6P		
		EF-601301	5-F3E	ER-336919	1-R40A	SK-345704C	6-7		
EC-338496	2-C1E	EF-601301	5-F4E	ER-336920	1-R8A	SK-345704D	6-7P		
EC-343382	1-C28A	EF-623103	5-F1E	ES-336897	1-SW1A	SK-345704E	6-8		
EC-343382	1-C29A	EI-315799	3-IC1	ES-337902	2-SW1				
EC-345606	1-C2B	EI-322599	1-IC1A	ES-348891	1-SW1C	SK-345704F	6-8P		
EC-346879	1-C4A			ES-348892	1-SW1D	SK-345704G	6-9		
EC-350672	1-C5A	EI-336917	5-13U	ET-322778	1-TR1A	SK-345704H	6-9P		
EC-684718	4-C1	EI-346071	1-IC1B	ET-345625	1-TR3A	SP-332527C	6-14		
EC-684718	4-C2	EI-349206	5-13F	ET-345626	1-TR2A	SP-332527D	6-14P		
ED-200213	1-D5A	EJ-240535	5-5U			SP-345706A	5-4U		
ED-300924	1-D6A	EJ-329610	5-7	EV-315412	1-VR3A	SP-345706B	5-4C		
		EJ-332248	5-5C	EV-336911	1-VR1E	SP-345706C	5-4E		
ED-301911	1-D1A	EJ-336900	1-J1A	EV-348887	1-VR2A	SP-345706D	5-4B		
ED-301911	1-D2A	EJ-336901	1-J1AP	EV-348888	1-VR1F	SP-345706E	5-4F		
ED-301911	1-D7A	EJ-336904	1-J5B	EV-348889	1-VR1A				
ED-309341	1-D8A	EJ-336905	1-J6B	EW-305691	5-9C	ZS-319460	5-3		
ED-323354	1-D9A			EW-306428	5-9U	ZS-322570	6-15		
ED-330218	1-D10A	EJ-343378	4-TM1	EW-336923	5-9E	ZS-332541	5-2		

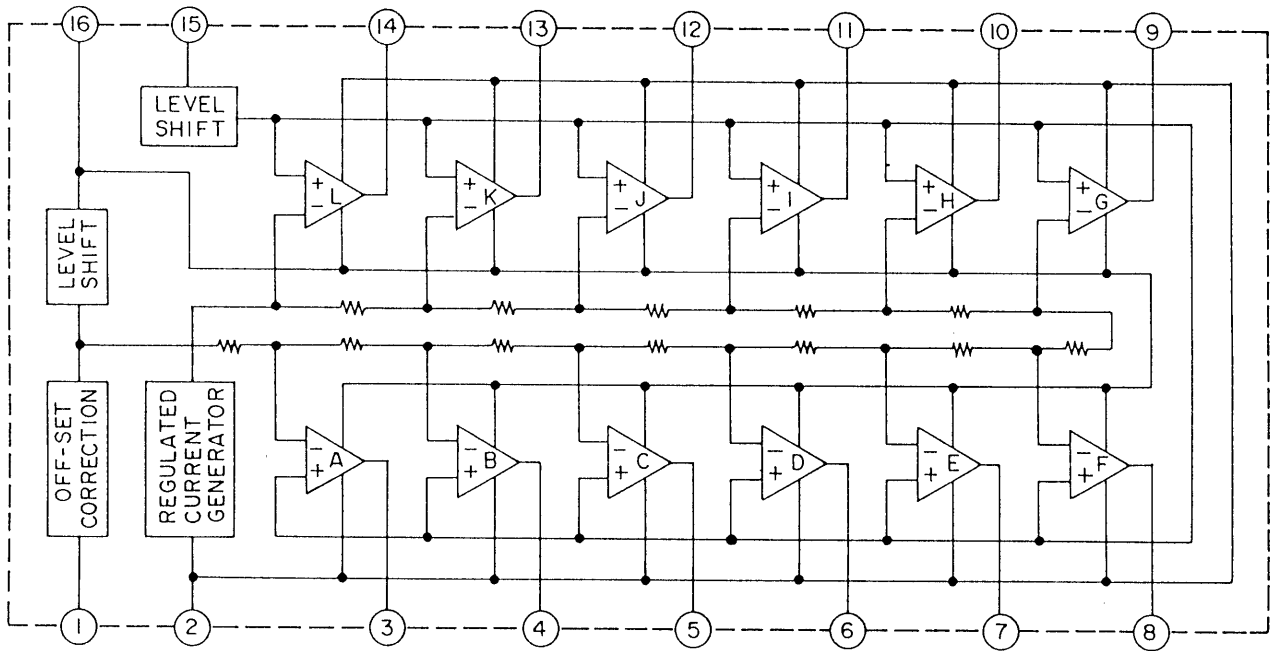
---

SECTION 4

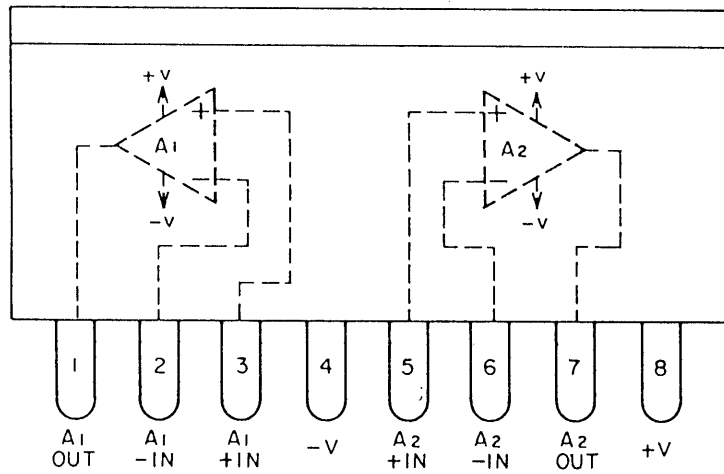
**SCHEMATIC DIAGRAM**

1. SCHEMATIC DIAGRAM OF IC's ..... 38  
2. AM-U1 No. 830720 SCHEMATIC DIAGRAM ..... 40  
3. AM-U2(F) No. 830721 SCHEMATIC DIAGRAM ..... 41

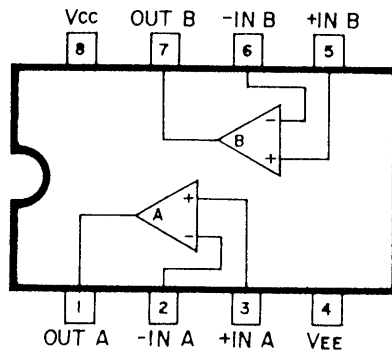
HA12019



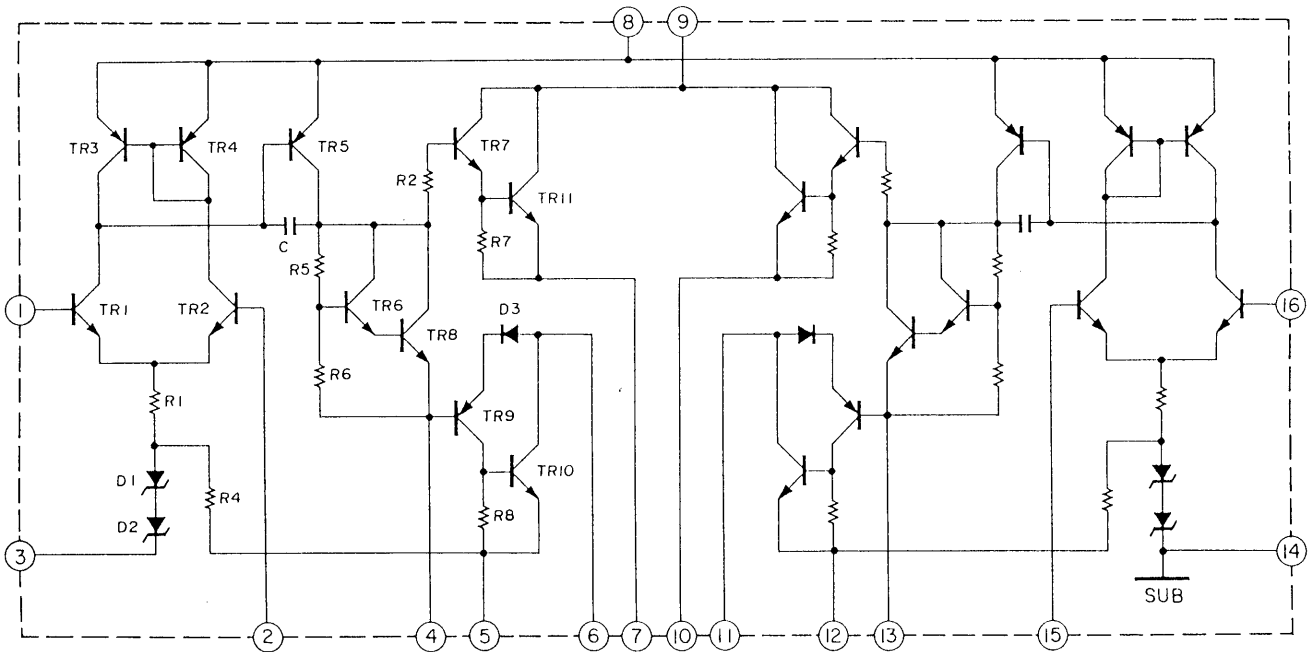
M5218L-21



M5218P-21

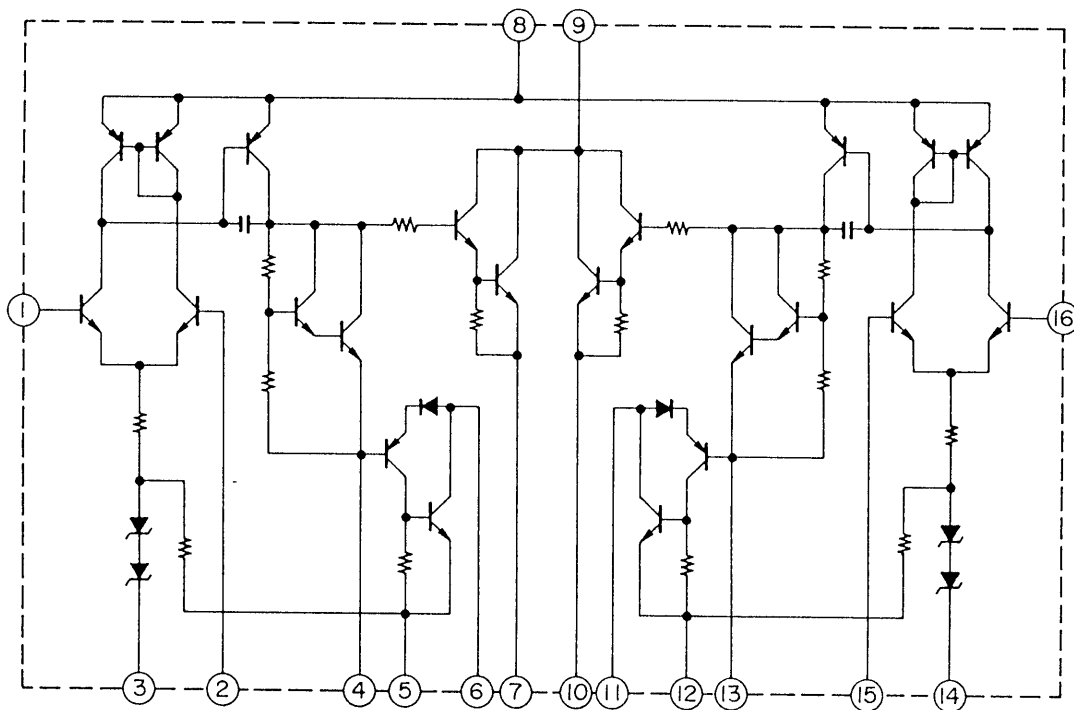


STK-461STK463-ST



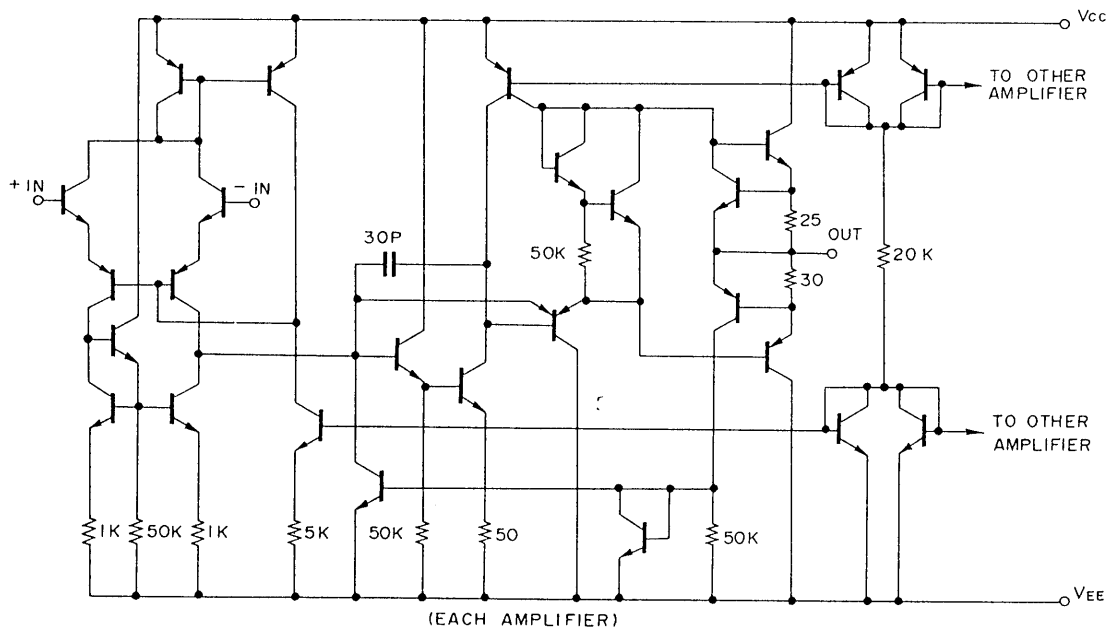
For Service Manuals  
**MAURITRON SERVICES**  
 8 Cherry Tree Road, Chinnor  
 Oxfordshire, OX9 4QY.  
 Tel (01844) 351694  
 Fax (01844) 352554  
 email:- sales@mauritron.co.uk

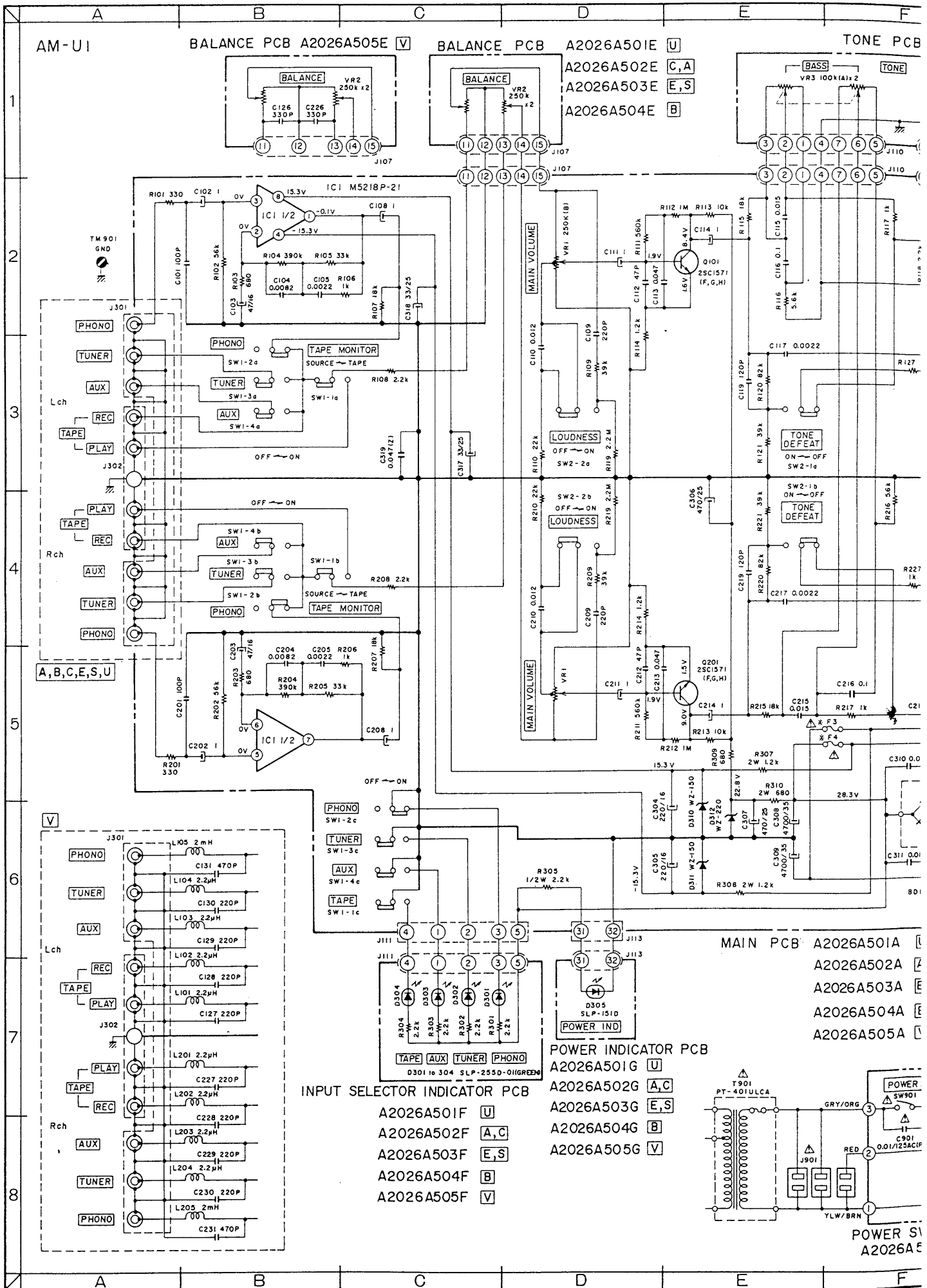
STK-465AST





TA75458S





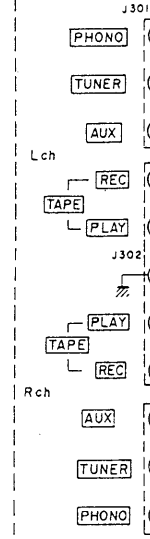
AM-U1

BALANCE PCB A2026A505E [V]

BALANCE PCB A2026A501E [U]

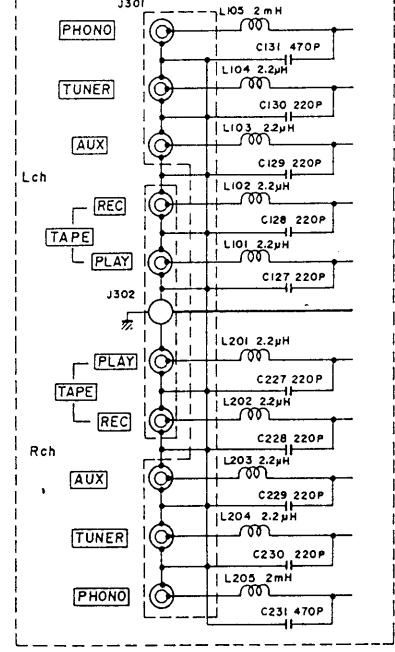
TONE PCB

A2026A502E [C,A]  
 A2026A503E [E,S]  
 A2026A504E [B]



A, B, C, E, S, U

[V]



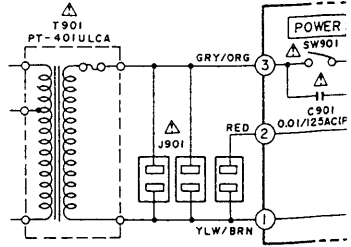
INPUT SELECTOR INDICATOR PCB

A2026A501F [U]  
 A2026A502F [A,C]  
 A2026A503F [E,S]  
 A2026A504F [B]  
 A2026A505F [V]

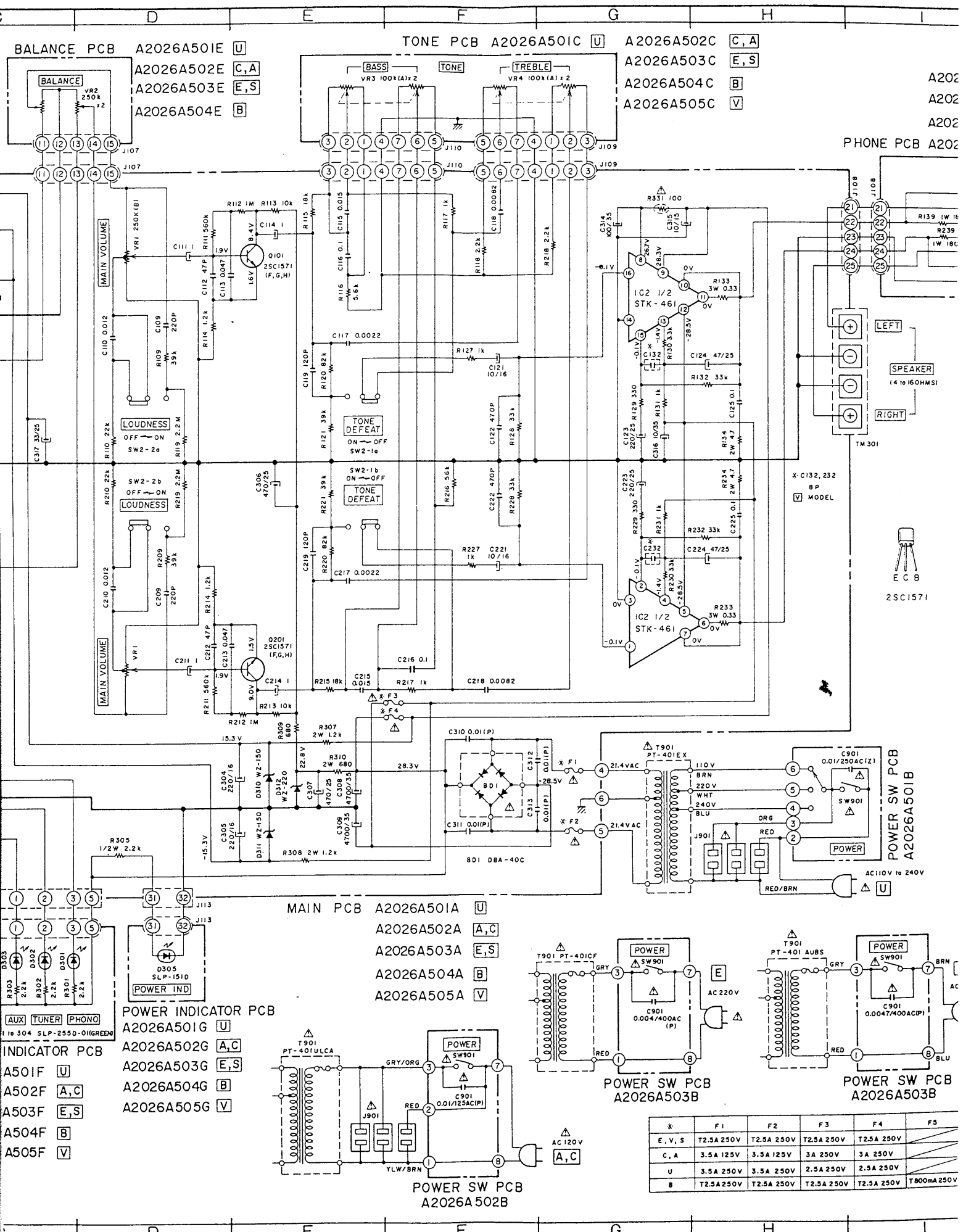
POWER INDICATOR PCB

A2026A501G [U]  
 A2026A502G [A,C]  
 A2026A503G [E,S]  
 A2026A504G [B]  
 A2026A505G [V]

MAIN PCB A2026A501A [L]  
 A2026A502A [Z]  
 A2026A503A [E]  
 A2026A504A [E]  
 A2026A505A [L]



POWER SUPPLY PCB A2026A501A



BALANCE PCB A2026A501E [U]  
 A2026A502E [C,A]  
 A2026A503E [E,S]  
 A2026A504E [B]

TONE PCB A2026A501C [U]  
 A2026A502C [C,A]  
 A2026A503C [E,S]  
 A2026A504C [B]  
 A2026A505C [V]

PHONE PCB A2026A502E [U]

MAIN PCB A2026A501A [U]  
 A2026A502A [A,C]  
 A2026A503A [E,S]  
 A2026A504A [B]  
 A2026A505A [V]

POWER INDICATOR PCB A2026A501G [U]  
 A2026A502G [A,C]  
 A2026A503G [E,S]  
 A2026A504G [B]  
 A2026A505G [V]

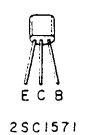
A501F [U]  
 A502F [A,C]  
 A503F [E,S]  
 A504F [B]  
 A505F [V]

	F1	F2	F3	F4	F5
E, V, S	T2.5A 250V	T2.5A 250V	T2.5A 250V	T2.5A 250V	
C, A	3.5A 125V	3.5A 125V	3A 250V	3A 250V	
U	3.5A 250V	3.5A 250V	2.5A 250V	2.5A 250V	
B	T2.5A 250V	T2.5A 250V	T2.5A 250V	T2.5A 250V	T800mA 250V

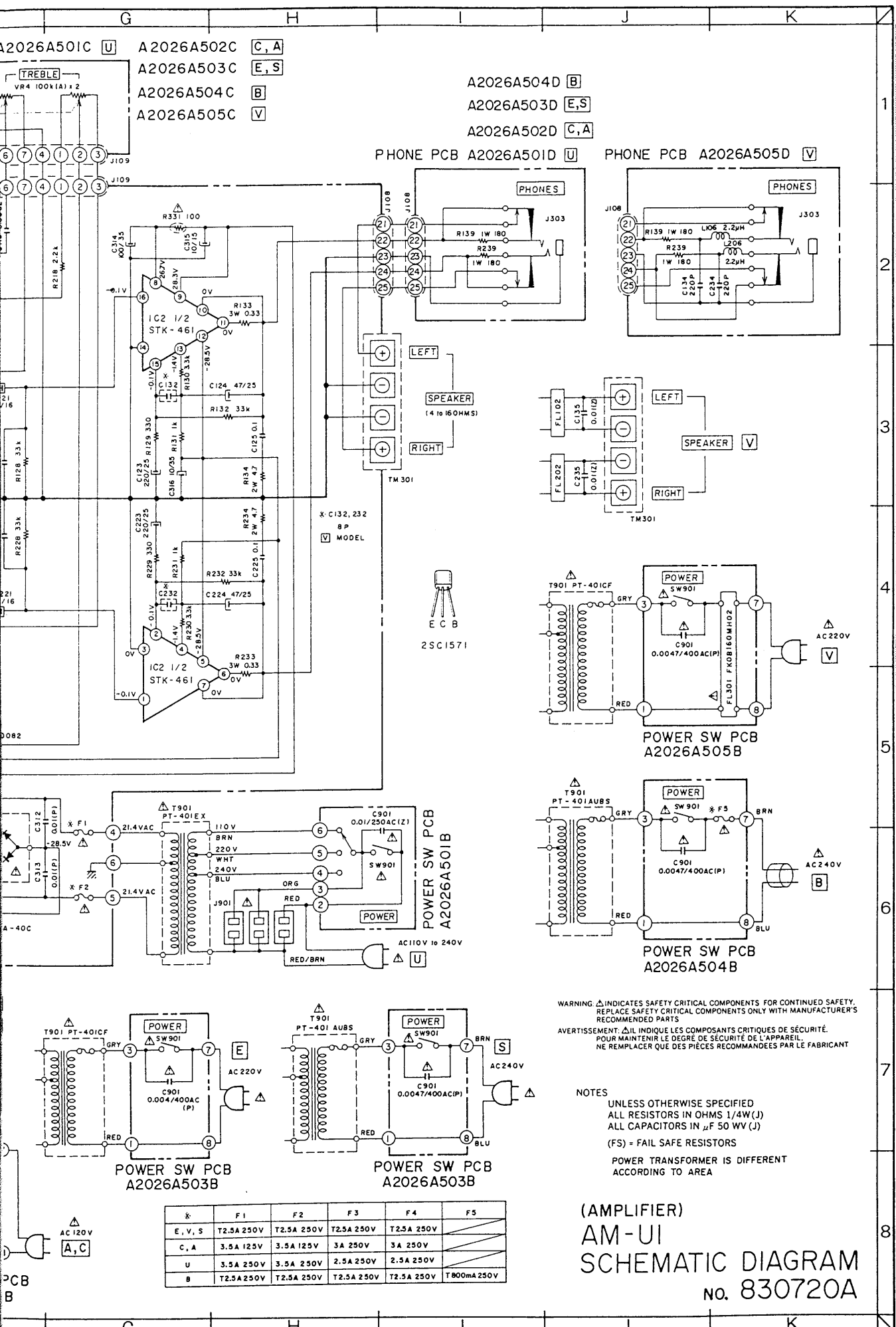
POWER SW PCB A2026A502B

POWER SW PCB A2026A503B

POWER SW PCB A2026A503B



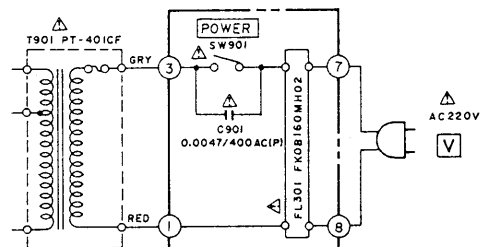
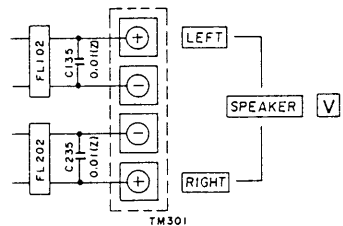
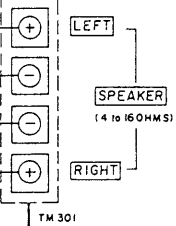
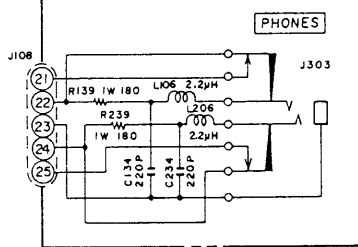
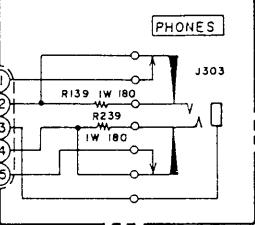
\* C132, 232  
 BP  
 [V] MODEL



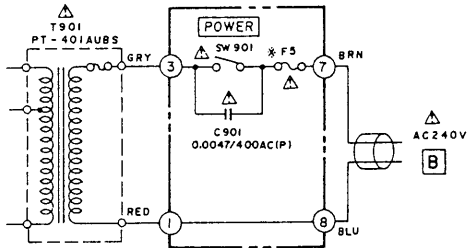
- A2026A501C [U]
- A2026A502C [C, A]
- A2026A503C [E, S]
- A2026A504C [B]
- A2026A505C [V]

- A2026A504D [B]
- A2026A503D [E, S]
- A2026A502D [C, A]

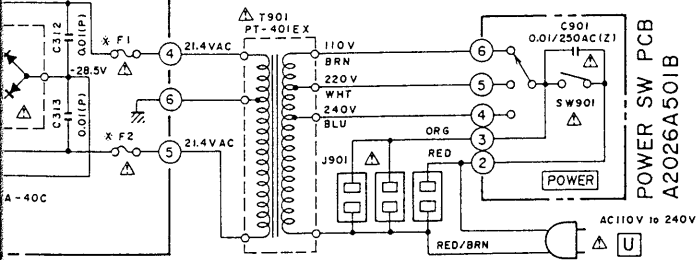
- PHONE PCB A2026A501D [U]
- PHONE PCB A2026A505D [V]



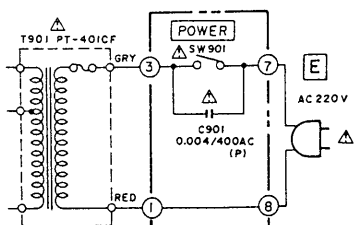
POWER SW PCB A2026A505B



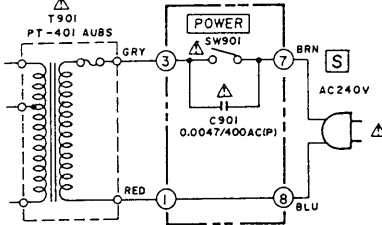
POWER SW PCB A2026A504B



POWER SW PCB A2026A503B



POWER SW PCB A2026A503B



POWER SW PCB A2026A503B

WARNING:  $\Delta$  INDICATES SAFETY CRITICAL COMPONENTS FOR CONTINUED SAFETY. REPLACE SAFETY CRITICAL COMPONENTS ONLY WITH MANUFACTURER'S RECOMMENDED PARTS.  
 AVERTISSEMENT:  $\Delta$  IL INDIQUE LES COMPOSANTS CRITIQUES DE SÉCURITÉ. POUR MAINTENIR LE DEGRÉ DE SÉCURITÉ DE L'APPAREIL, NE REMPLACER QUE DES PIÈCES RECOMMANDÉES PAR LE FABRICANT.

NOTES  
 UNLESS OTHERWISE SPECIFIED  
 ALL RESISTORS IN OHMS 1/4W (J)  
 ALL CAPACITORS IN  $\mu$ F 50 WV (J)  
 (FS) = FAIL SAFE RESISTORS  
 POWER TRANSFORMER IS DIFFERENT ACCORDING TO AREA

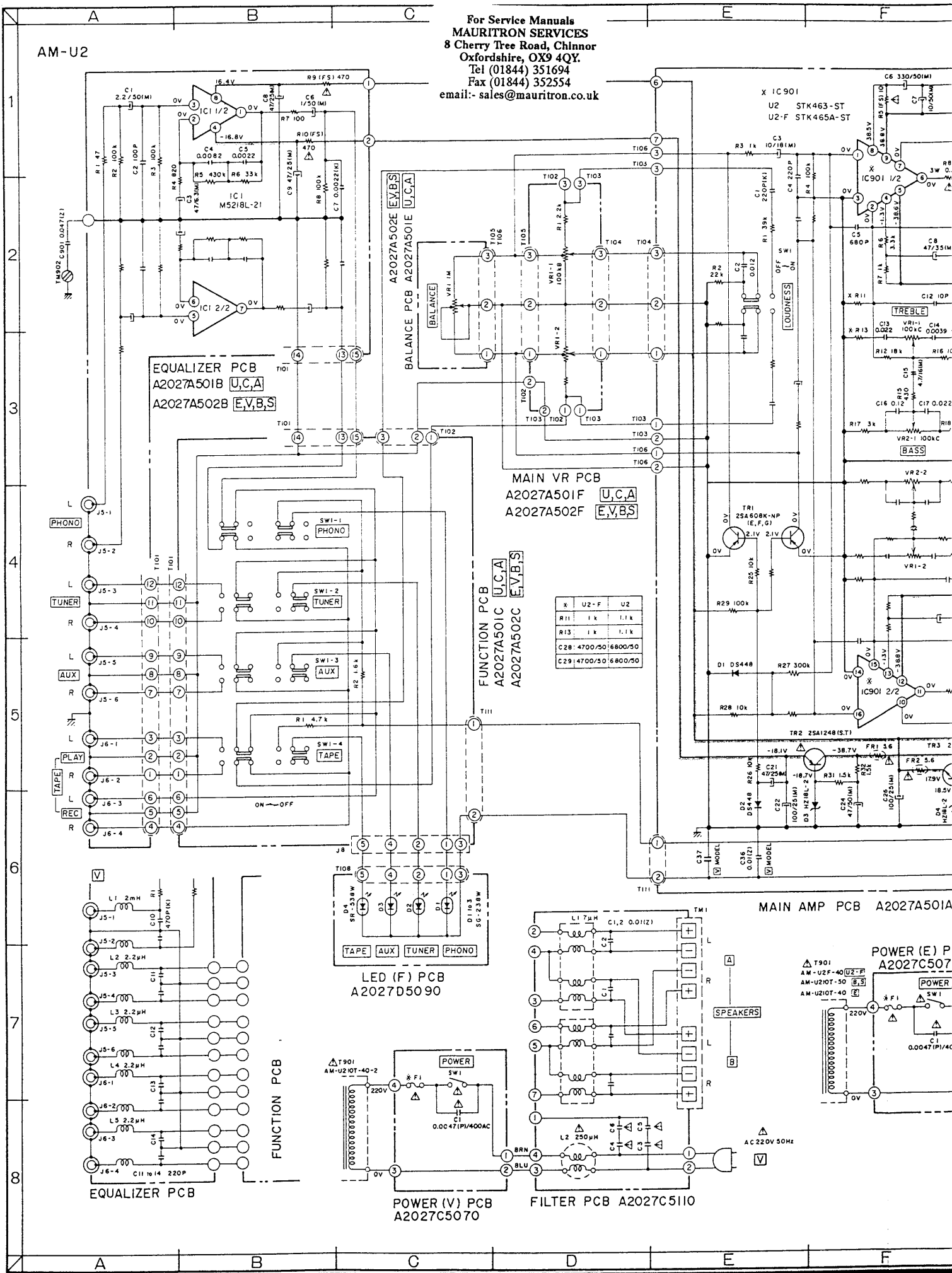
$\times$	F1	F2	F3	F4	F5
E, V, S	T2.5A 250V	T2.5A 250V	T2.5A 250V	T2.5A 250V	
C, A	3.5A 125V	3.5A 125V	3A 250V	3A 250V	
U	3.5A 250V	3.5A 250V	2.5A 250V	2.5A 250V	
B	T2.5A 250V	T2.5A 250V	T2.5A 250V	T2.5A 250V	T800mA 250V

(AMPLIFIER)  
 AM-UI  
 SCHEMATIC DIAGRAM  
 No. 830720A

1  
2  
3  
4  
5  
6  
7  
8

For Service Manuals  
**MAURITRON SERVICES**  
 8 Cherry Tree Road, Chinnor  
 Oxfordshire, OX9 4QY.  
 Tel (01844) 351694  
 Fax (01844) 352554  
 email:- sales@mauritron.co.uk

AM-U2



EQUALIZER PCB  
 A2027A501B U,C,A  
 A2027A502B E,V,B,S

BALANCE PCB  
 A2027A502E E,V,B,S  
 A2027A501E U,C,A

MAIN VR PCB  
 A2027A501F U,C,A  
 A2027A502F E,V,B,S

FUNCTION PCB  
 A2027A501C U,C,A  
 A2027A502C E,V,B,S

MAIN AMP PCB A2027A501A

LED (F) PCB  
 A2027D5090

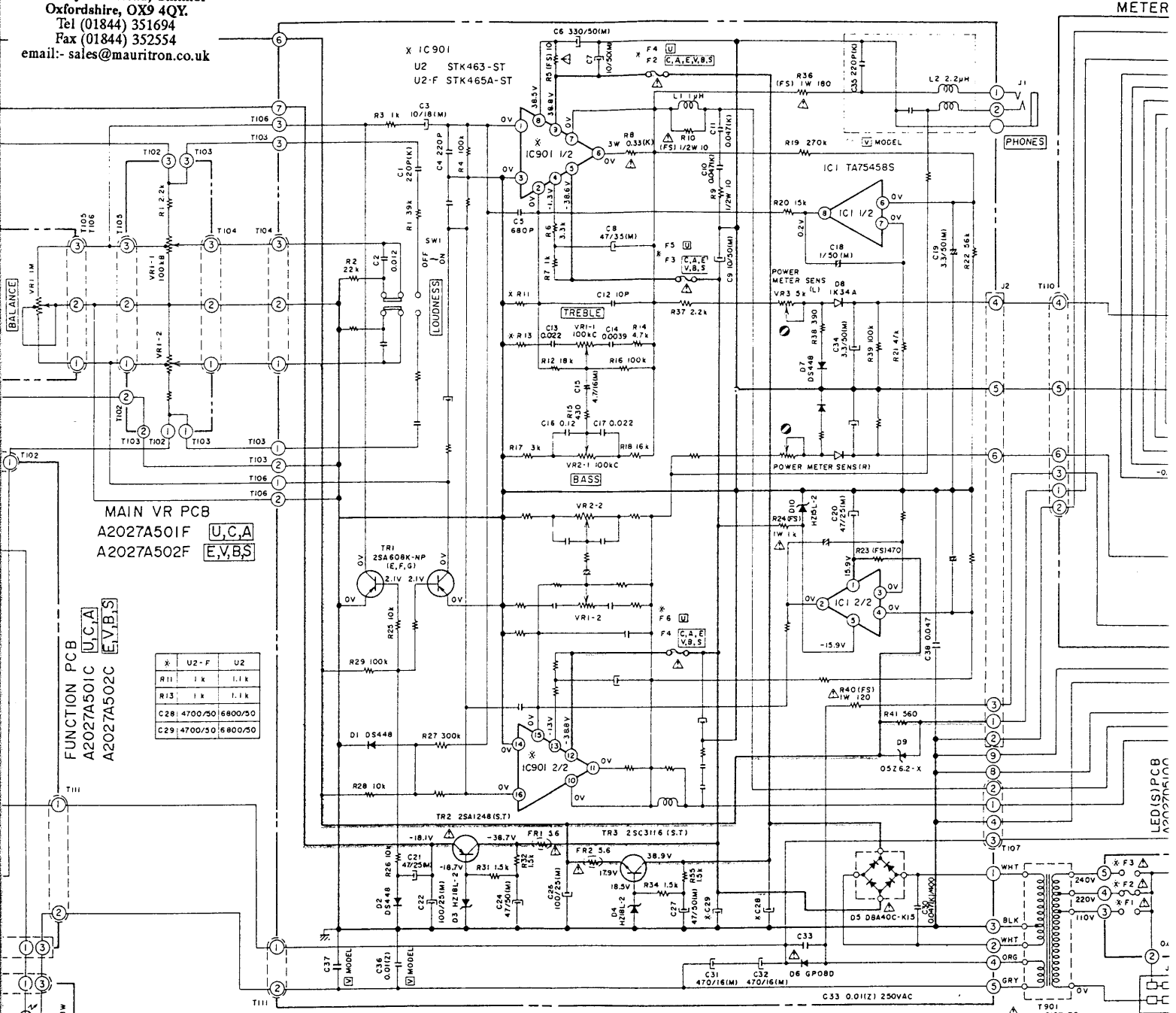
POWER (V) PCB  
 A2027C5070

FILTER PCB A2027C5110

POWER (E) P  
 A2027C507

X	U2-F	U2
R11	1k	1.1k
R13	1k	1.1k
C28	4700/50	6800/50
C29	4700/50	6800/50

For Service Manuals  
**MAURITRON SERVICES**  
 8 Cherry Tree Road, Chinnor  
 Oxfordshire, OX9 4QY.  
 Tel (01844) 351694  
 Fax (01844) 352554  
 email: sales@mauritron.co.uk



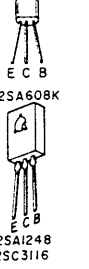
*	U2-F	U2
R11	1k	1.1k
R13	1k	1.1k
C28	4700/50	6800/50
C29	4700/50	6800/50

*	F1	F2	F3	F4	F5,6
U	2.5A 250V	1.25A 250V	1.25A 250V	5A 125V	2A 125V
C, A	3.15A 125V	5A 125V	2A 125V	2A 125V	
E, V, B, S	T1A 250V	T5A 250V	T2A 250V	T2A 250V	

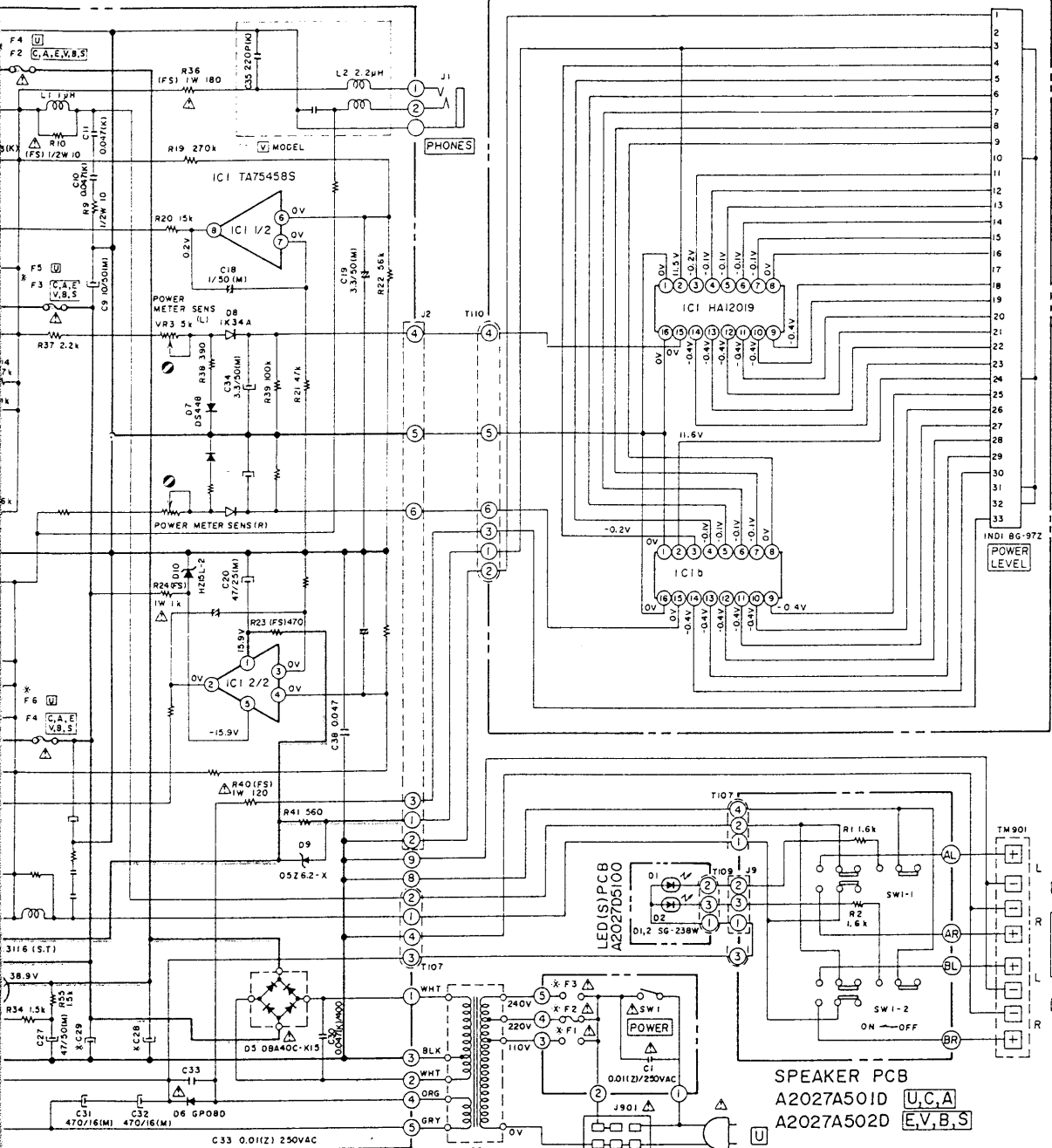
METER

LED(S) PCB  
 A2027K5100

AC OUT  
 POWER (A2027C)

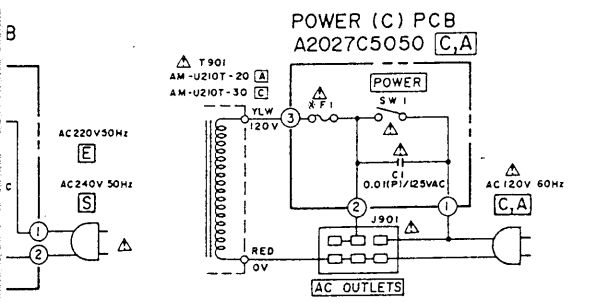


METER PCB A2013C5030



U,C,A A2027A502A E,V,B,S

POWER(U) PCB A2027C5040



	F1	F2	F3	F4	F5,6
U	2.5A 250V	1.25A 250V	1.25A 250V	5A 125V	2A 125V
C, A	3.15A 125V	5A 125V	2A 125V	2A 125V	
E, V, B, S	T1A 250V	T5A 250V	T2A 250V	T2A 250V	

SPEAKER PCB A2027A501D U,C,A A2027A502D E,V,B,S

WARNING: Δ INDICATES SAFETY CRITICAL COMPONENTS FOR CONTINUED SAFETY. REPLACE SAFETY CRITICAL COMPONENTS ONLY WITH MANUFACTURER'S RECOMMENDED PARTS.  
 AVERTISSEMENT: Δ IL INDIQUE LES COMPOSANTS CRITIQUES DE SÉCURITÉ. POUR MAINTENIR LE DEGRÉ DE SÉCURITÉ DE L'APPAREIL, NE REMPLACER QUE DES PIÈCES RECOMMANDÉES PAR LE FABRICANT

NOTES  
 UNLESS OTHERWISE SPECIFIED  
 ALL RESISTORS IN OHMS 1/4W (J)  
 ALL CAPACITORS IN μF 50 WV (J)  
 (FS) = FAIL SAFE RESISTORS  
 VOLTAGE: NO SIGNAL INPUT VOLUME MIN

(AMPLIFIER)  
 AM-U2/F  
 SCHEMATIC DIAGRAM  
 No. 830721A